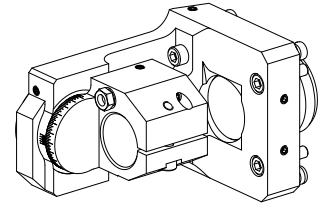


---

## Basic holder KPS 45 D28 (1.10 "), 90°

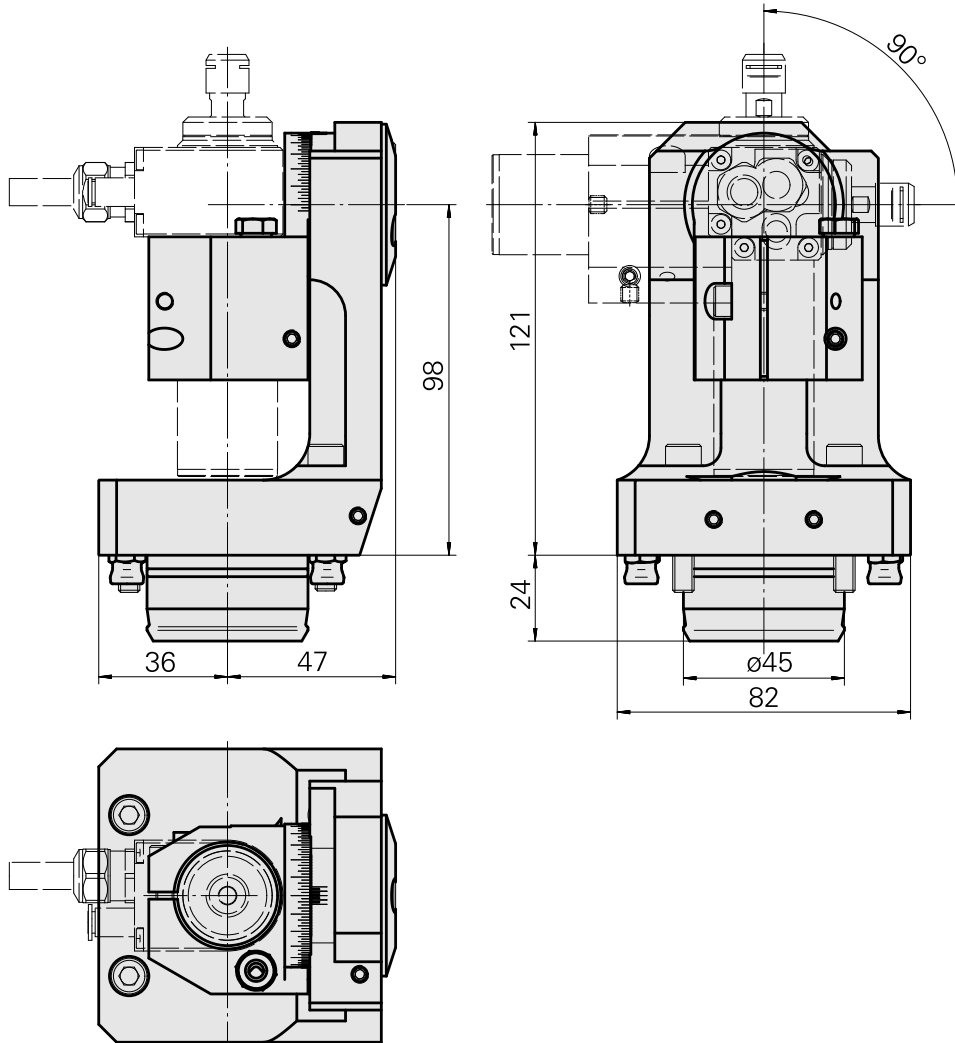
### Technical data

|                             |                          |
|-----------------------------|--------------------------|
| <b>Shank KPS</b>            | KPS 45                   |
| <b>Drive</b>                | not live                 |
| <b>Cooling</b>              | external                 |
| <b>Mounting</b>             | D28                      |
| <b>Pressure</b>             | 80 bar                   |
| <b>X [mm]</b>               | 98 (3.86")               |
| <b>Y [mm]</b>               | –                        |
| <b>Z [mm]</b>               | –                        |
| <b>INDEX TRAUB products</b> | TNL18 • TNL32-11 • TNL32 |



### Note

The machine has to be "Ready for high-frequency spindle unit"!



---

## Documents

No downloads available for this product

## Accessories

### Optional accessories

#### Tool holder accessories

#### [Coolant tube, L=100 mm \(3.93"\)](#)

Product ID : 10309869

Previous product ID : W9990658

TH accessories  
category  
Cooling lubricant tube

Mounting  
D6

#### Other accessories

#### [Conical ring DIN 3862-6-St](#)

Product ID : 10528470

Previous product ID : 471060.0601

---

#### [THREADED BUSHING M10x1 Stahl verzinkt A3C](#)

Product ID : 10707394

Previous product ID : 471112.06

---

#### [Spindle Drive](#)

Product ID : 10158661

Previous product ID : 326548

---

#### [Spindle Drive](#)

Product ID : 10093553

Previous product ID : 327563

---