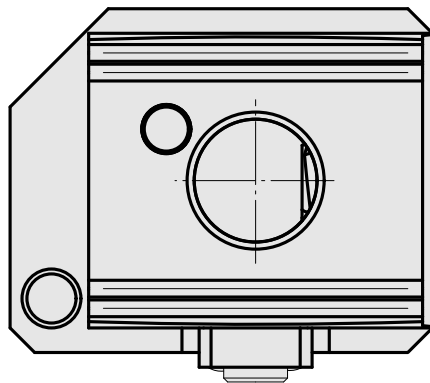
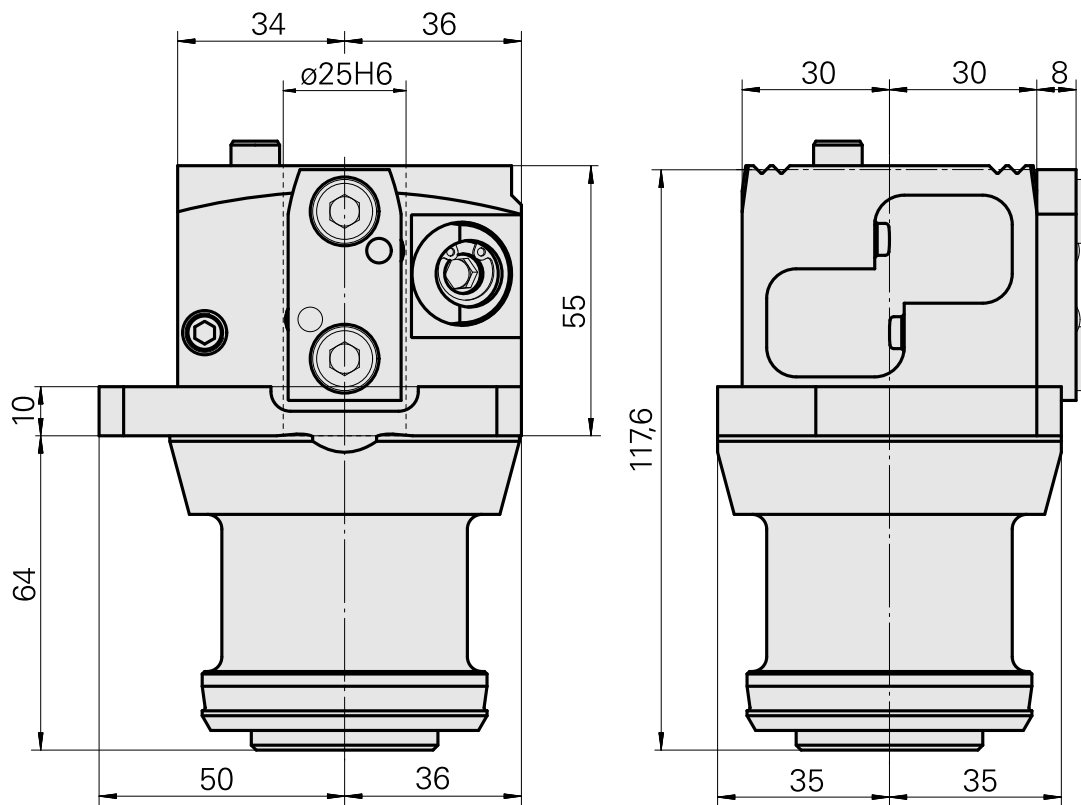
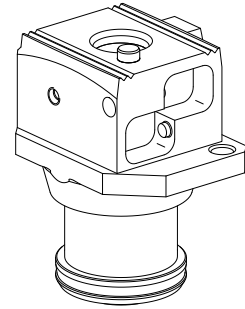


Mount

Technical data

刀座附件类别
刀具夹具

预调块座
VDI 25



10491250
W9990192

INDEX

Documents

No downloads available for this product