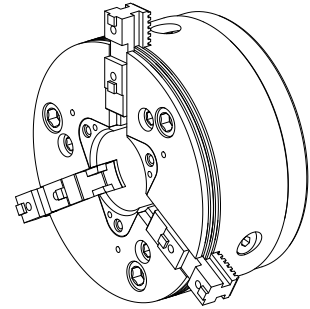


## 3-jaw chuck

### Technical data

<b>INDEX TRAUB products</b>	G220
<b>Spindle clearance</b>	65mm
<b>Machining side</b>	Main spindle • Counter spindle
<b>manufacturer product line</b>	ROTA THW PLUS 215-66 Z170
<b>Spindle mounting</b>	AP170
<b>manufacturer product line</b>	Schunk



No 3-side view is currently available for this product

## Documents

No downloads available for this product

## Accessories

Required for operation

### [Connecting parts](#)

Product ID : 10913746

Previous product ID : 908125.0301

---

### [Flange für ROTA THW plus 215-66](#)

Product ID : 10691374

Previous product ID : 908125.0311

---