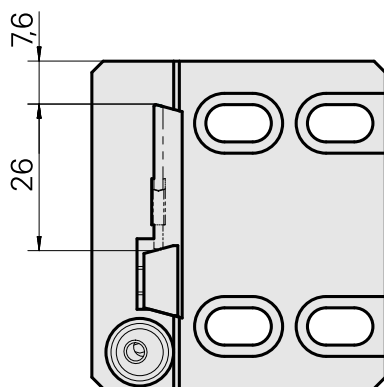
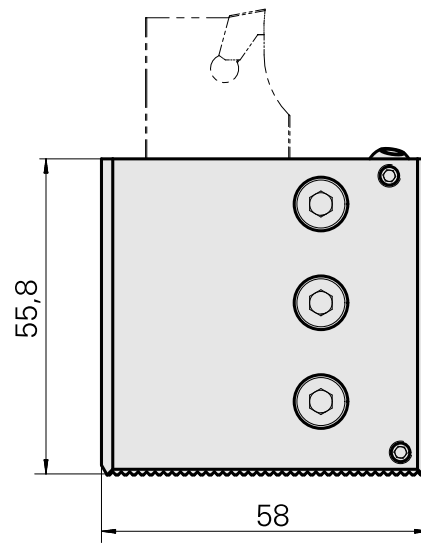
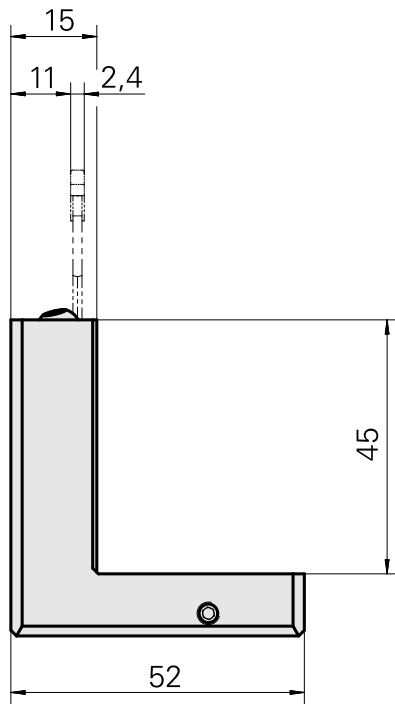
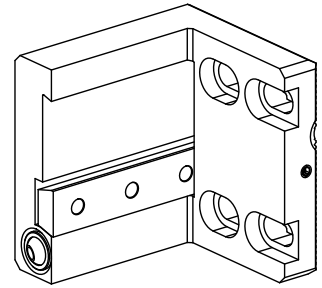


Grooving tool holding block Trapezoid 26, horizontally adjustable

Technical data

| | |
|----------------------|----------------|
| Drive | not live |
| Cooling | external |
| Pressure | 20 bar |
| Mounting | Trapezoid 26x5 |
| X [mm] | 56 (2.20") |
| Y [mm] | - |
| Z [mm] | 15 (0.59) |
| INDEX TRAUB products | C100 |



Documents

No downloads available for this product

Accessories

Optional accessories

Other accessories

[BALL SPRAY NOZZLE 10D/M4](#)

Product ID : 10679818

Previous product ID : 474550.0081
