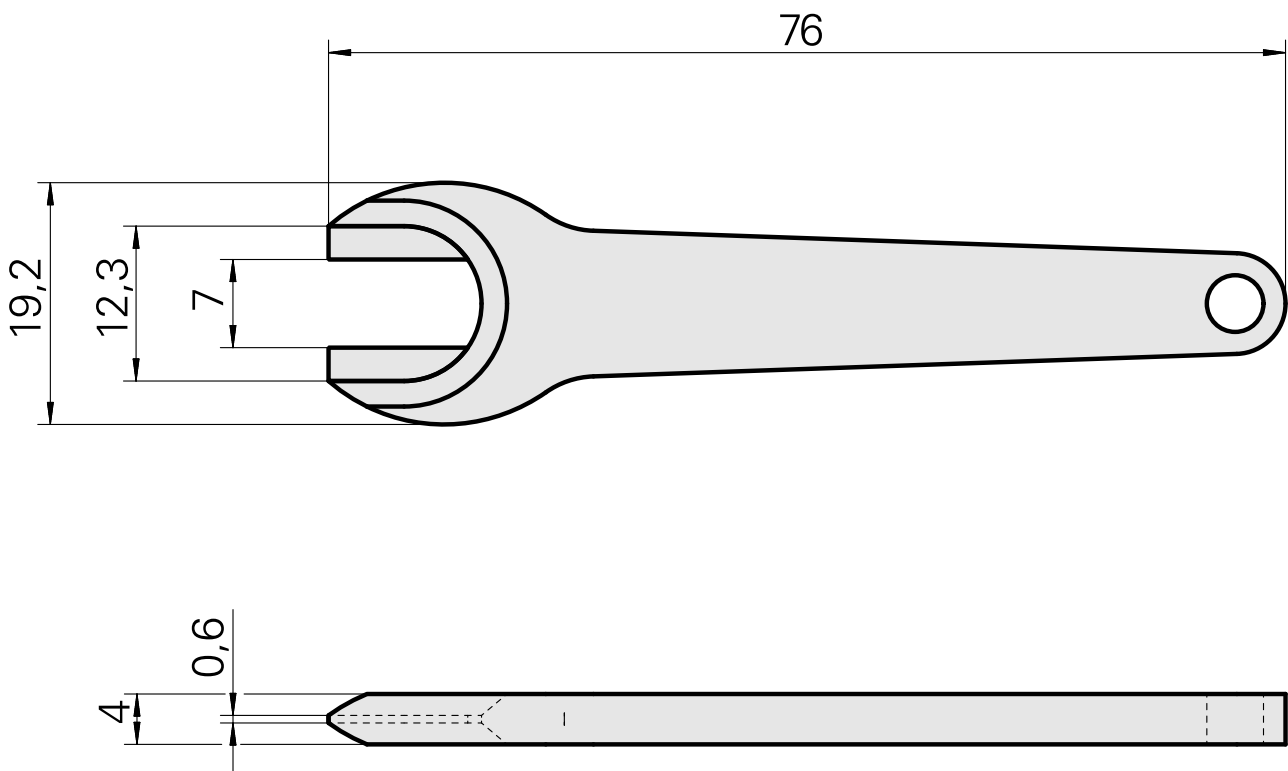
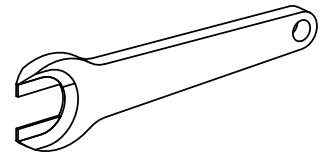


## Spanner

### Technical data

TH accessories category	Tool
Mounting	ER8
Collet type	ER 8
Clamping nut type	Internal thread hf spindles
Tools for Collet chucks	Clamping nut wrench



10448887  
W9990495

**INDEX**

---

## **Documents**

No downloads available for this product