

## Basic holder HSK 40 A

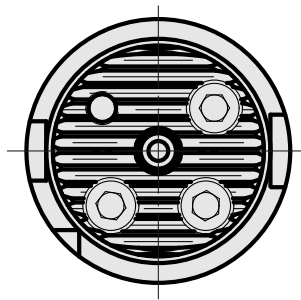
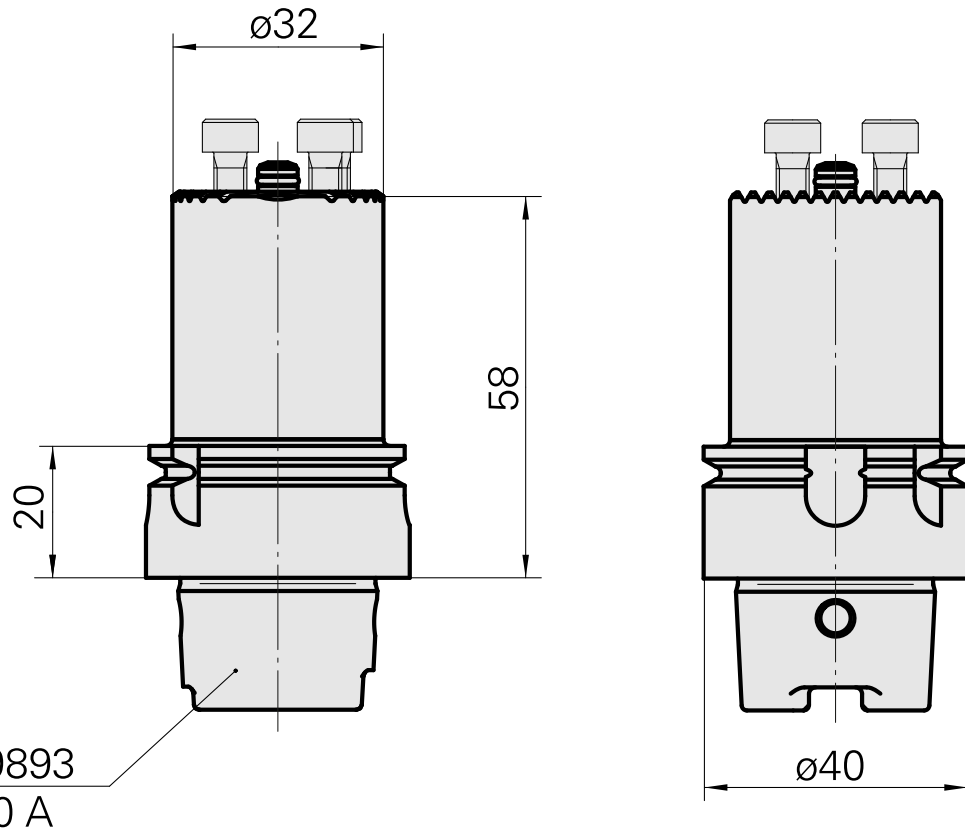
### Technische Daten

Shank HSK	HSK 40
Form HSK	A
Cooling	internal
Pressure	80 bar
X [mm]	58 (2.28")
INDEX TRAUB products	G220.3 • R200 • TNX65/42 • TNX220.3



### Hinweis

Nicht geeignet für INDEX G160, G250 und G400!



## Dokumente

Für dieses Produkt sind keine Downloads vorhanden

## Zubehör

Zum Betrieb benötigt

### [Socket wrench](#)

Artikel-Id : 10532354  
frühere Artikel-Id : WS7400.0010

TH accessories category Tool for KSS adapter	Mounting HSK 40 A/C
--	------------------------

## Optionales Zubehör

### Tool holder accessories

### [Coolant adapter kit](#)

Artikel-Id : 10581780  
frühere Artikel-Id : WS7400.0020

TH accessories category Cooling lubricant transfer set	Mounting HSK 40 A/C
---	------------------------

### [Coolant supply, max. 120 bar](#)

Artikel-Id : 12024083  
frühere Artikel-Id :

TH accessories category Cooling lubricant transfer set	Mounting HSK 40 A/C
---	------------------------

## HSK tool holders

Boring head for CC.. 09T3..

Artikel-Id : 10291582  
frühere Artikel-Id : W9990167

Mounting for CC.. 09T3..	Cooling internal	Pressure 50 bar	X [mm] 45 (1.77")
Z [mm] 22 (0.87)	INDEX TRAUB products G220.3 • R200 • TNX65/42 • TNX220.3		

Boring head for CC.. 09T3..

Artikel-Id : 10529372  
frühere Artikel-Id : W9990168

Mounting for CC.. 09T3..	Cooling internal	Pressure 50 bar	X [mm] 45 (1.77")
Z [mm] 22 (0.87)	INDEX TRAUB products G220.3 • R200 • TNX65/42 • TNX220.3		

Boring head for CN.. 1204..

Artikel-Id : 10352646  
frühere Artikel-Id : W9990162

Mounting for CN.. 1204..	Cooling internal	Pressure 50 bar	X [mm] 32 (1.26")
Z [mm] 22 (0.87)	INDEX TRAUB products G220.3 • R200 • TNX65/42 • TNX220.3		

Boring head for CN.. 1204..

Artikel-Id : 10726574  
frühere Artikel-Id : W9990163

Mounting for CN.. 1204..	Cooling internal	Pressure 50 bar	X [mm] 32 (1.26")
Z [mm] 22 (0.87)	INDEX TRAUB products G220.3 • R200 • TNX65/42 • TNX220.3		

Boring head for DC.. 11T3..

Artikel-Id : 10510081  
frühere Artikel-Id : W9990169

Mounting for DC.. 11T3..	Cooling internal	Pressure 50 bar	X [mm] 32 (1.26")
Z [mm] 22 (0.87)	INDEX TRAUB products G220.3 • R200 • TNX65/42 • TNX220.3		

Boring head for DC.. 11T3..

Artikel-Id : 10281537  
frühere Artikel-Id : W9990170

Mounting for DC.. 11T3..	Cooling internal	Pressure 50 bar	X [mm] 32 (1.26")
Z [mm] 22 (0.87)	INDEX TRAUB products G220.3 • R200 • TNX65/42 • TNX220.3		

Boring head for DC.. 11T3..

Artikel-Id : 10586077  
frühere Artikel-Id : W9990280

Mounting for DC.. 11T3..	Cooling internal	Pressure 50 bar	X [mm] 40 (1.57")
Z [mm] 22 (0.87)	INDEX TRAUB products G220.3 • R200 • TNX65/42 • TNX220.3		

Boring head for DC.. 11T3..

Artikel-Id : 10241150  
frühere Artikel-Id : W9990281

Mounting for DC.. 11T3..	Cooling internal	Pressure 50 bar	X [mm] 40 (1.57")
Z [mm] 22 (0.87)	INDEX TRAUB products G220.3 • R200 • TNX65/42 • TNX220.3		

### [Boring head for DN.. 1506..](#)

Artikel-Id : 10748351

frühere Artikel-Id : W9990282

Mounting for DN.. 1506..	Cooling internal	Pressure 50 bar	X [mm] 45 (1.77")
Z [mm] 22 (0.87)	INDEX TRAUB products G220.3 • R200 • TNX65/42 • TNX220.3		

### [Boring head for DN.. 1506..](#)

Artikel-Id : 10684981

frühere Artikel-Id : W9990283

Mounting for DN.. 1506..	Cooling internal	Pressure 50 bar	X [mm] 45 (1.77")
Z [mm] 22 (0.87)	INDEX TRAUB products G220.3 • R200 • TNX65/42 • TNX220.3		

### [Boring head for VC.. 1604..](#)

Artikel-Id : 10153305

frühere Artikel-Id : W9990171

Mounting for VC.. 1604..	Cooling internal	Pressure 50 bar	X [mm] 32 (1.26")
Z [mm] 22 (0.87)	INDEX TRAUB products G220.3 • R200 • TNX65/42 • TNX220.3		

### [Boring head for VC.. 1604..](#)

Artikel-Id : 10862271

frühere Artikel-Id : W9990172

Mounting for VC.. 1604..	Cooling internal	Pressure 50 bar	X [mm] 32 (1.26")
Z [mm] 22 (0.87)	INDEX TRAUB products G220.3 • R200 • TNX65/42 • TNX220.3		

Boring head for VC.. 1604..

Artikel-Id : 10508202

frühere Artikel-Id : W9990158

Mounting for VC.. 1604..	Cooling internal	Pressure 50 bar	X [mm] 32 (1.26")
Z [mm] 22 (0.87)	INDEX TRAUB products G220.3 • R200 • TNX65/42 • TNX220.3		

Boring head for VC.. 1604..

Artikel-Id : 10022748

frühere Artikel-Id : W9990161

Mounting for VC.. 1604..	Cooling internal	Pressure 50 bar	X [mm] 32 (1.26")
Z [mm] 22 (0.87)	INDEX TRAUB products G220.3 • R200 • TNX65/42 • TNX220.3		