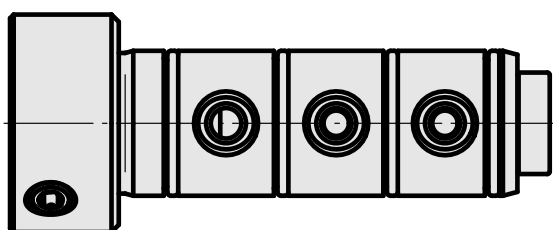
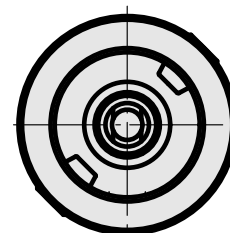
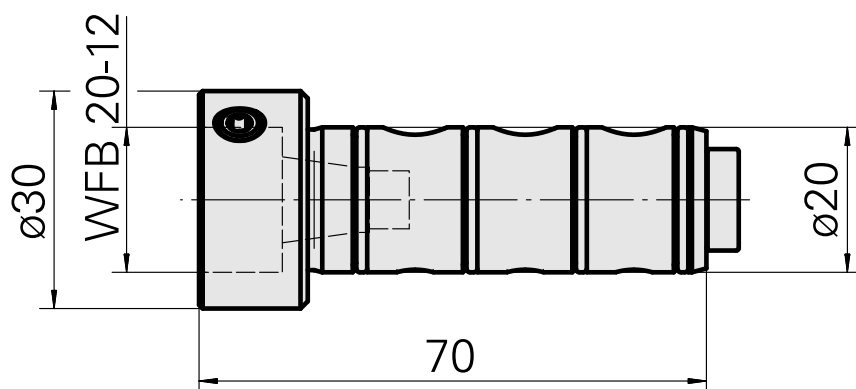
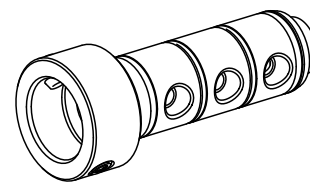


Gravação WFB 20-12

Technical data

Acionamento	não acionado
Refrigeração	interno
Recepção	WFB 20-12
Pressão (até)	80 bar
X [mm]	-
Y [mm]	-
Z [mm]	-
Produtos INDEX TRAUB	TNL18 • TNL20 • TNL32-11 • TNL32 • TNL32-11 compact • TNL20-11 • TNL32 compact • TNK40.2-10 • TNK40.2-8 • TNL20.2



Documents

Product notes

[PT \(pdf\)](#)

[DE \(pdf\)](#)

[EN \(pdf\)](#)

[FR \(pdf\)](#)

Accessories

Optional accessories

Other accessories

[Parafuso sem cabeça M 6x1x7](#)

Product ID : 10004947

Previous product ID : 326171

[Adapter WFB 20-12 shrinking](#)

Product ID : 10477939

Previous product ID : 904006

[Adapter WFB 20-12 Weldon](#)

Product ID : 10221340

Previous product ID : 904007

[Adapter WFB 20-12 with collet mounting](#)

Product ID : 10625654

Previous product ID : 904008

[adapter WFB 20-12 mill arbor mounting](#)

Product ID : 10489061

Previous product ID : 904009

[Adapter WFB 20-12 Hydr. expansion chuck](#)

Product ID : 10566889
Previous product ID : 904010

[WFB for Turning tool holder](#)

Product ID : 10146029
Previous product ID : 904011

[Adapter WFB 20-12 Horn S-Mini](#)

Product ID : 10777058
Previous product ID : 904012

[adapter WFB 20-12 Turning holder](#)

Product ID : 10394640
Previous product ID : 904013

[WFB for tap chuck](#)

Product ID : 11004600
Previous product ID : WZ9990.9613F

[WFB miscellaneous mountings](#)

Product ID : 10243177
Previous product ID : WZ9990.9612F
