

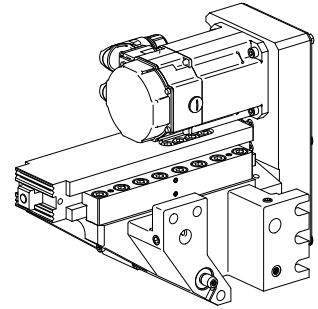
slide X-axis

Technical data

Machining position

INDEX TRAUB products

MS16-6 • MS16-6 Plus



No 3-side view is currently available for this product

Documents

No downloads available for this product

Accessories

Optional accessories

Quad-Ring® Seal

[quad-ring](#)

Product ID : 10606686

Previous product ID : 479112.0102

manufacturer product line Trelleborg	TSS material no.	Cord size 2.62 Millimeter	manufacturer product line Quad-Ring® Seal
---	------------------	------------------------------	--

O-Rings

[O-RING](#)

Product ID : 10720281

Previous product ID : 479100.0102

manufacturer product line Trelleborg	TSS material no.	Cord size 2 Millimeter	manufacturer product line O-ring
---	------------------	---------------------------	-------------------------------------

[Gasket ring](#)

Product ID : 10866740

Previous product ID : 479103.1542

manufacturer product line Trelleborg	TSS material no.	Cord size 2.62 Millimeter	manufacturer product line O-ring
---	------------------	------------------------------	-------------------------------------

Spindle liners

[Grub screw 45H M5 x 6 913](#)

Product ID : 10462295

Previous product ID : 410156.0506

Other accessories

[Adjusting nut](#)

Product ID : 10000269
Previous product ID : 415604.2615

[lens flange head screw](#)

Product ID : 10221770
Previous product ID : 410244.0510

[HEX.SCREW 5X8-933](#)

Product ID : 11004416
Previous product ID : 410620.0508

[Angle 36 x 28 x 27](#)

Product ID : 10237873
Previous product ID : M90891.90

[SOCKET HD.SCREW 6X35](#)

Product ID : 10407009
Previous product ID : 410260.0635

[Hexagon screw](#)

Product ID : 10883740
Previous product ID : 410620.0625

[HEX NUT 00500](#)

Product ID : 10491187
Previous product ID : 415610.06

[WASHER B 8,4 brueniert](#)

Product ID : 10407978
Previous product ID : 419010.08

[Hexagon screw](#)

Product ID : 11046903
Previous product ID : 410620.0812

[lens flange head screw](#)

Product ID : 10193064
Previous product ID : 410244.0610

[Shaft Klemmung Werkzeug](#)

Product ID : 11083382
Previous product ID : M90903.40

[Bolt M 6](#)

Product ID : 10643485
Previous product ID : 737394

[SEALING RING A 6.5X9.5](#)

Product ID : 10146229
Previous product ID : 479022.0609

[T-nut 18 x 15 x 26](#)

Product ID : 11083376
Previous product ID : M90902.60

[Bolt Ausrichtung Stechschlitten](#)

Product ID : 11029447
Previous product ID : M90901.80

[Bolt](#)

Product ID : 10857748
Previous product ID : M90411.10

[Grub screw](#)

Product ID : 10838796
Previous product ID : 410156.0816

[Grub screw](#)

Product ID : 10077882
Previous product ID : 410156.0820

[Grub screw](#)

Product ID : 10410072
Previous product ID : 410156.1012

[Plug Konus SK550-050 kurz D5](#)

Product ID : 10315289
Previous product ID : 474301.0500

[Locking screw M 6x1](#)

Product ID : 10631234
Previous product ID : 410773.0610

[Plug Konus SK552-050 lang D5](#)

Product ID : 10616582
Previous product ID : 474302.0500

[Plug Konus SK550-060 kurz D6](#)

Product ID : 10005206
Previous product ID : 474301.0600
