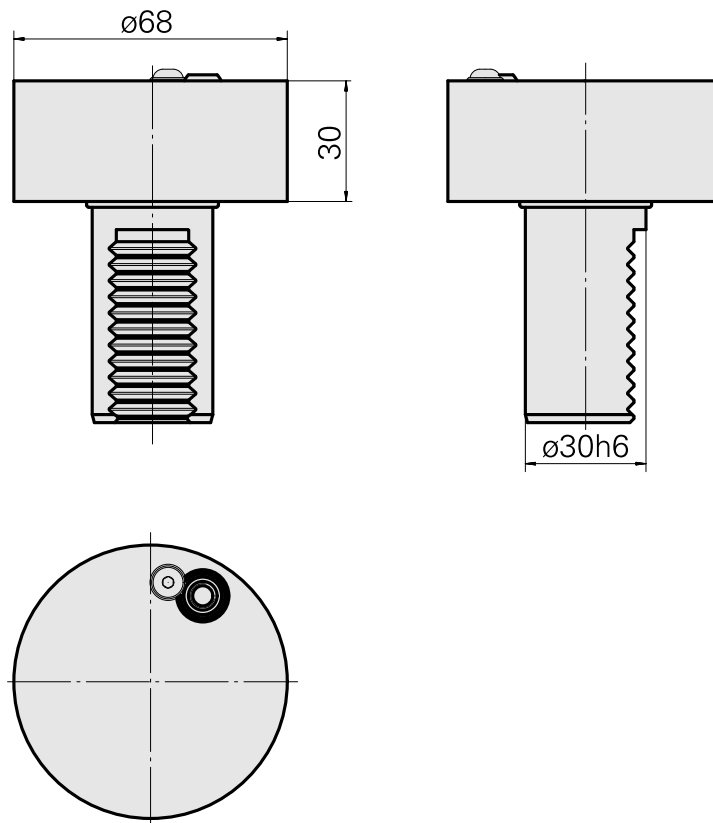
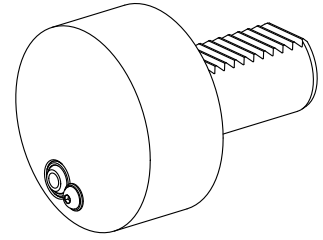


## Flush holder VDI 30

### Technical data

Shank VDI	VDI 30
Drive	not live
Fixation VDI	none
Cooling	external
Pressure	20 bar
reversible 180°	no
Data carrier	check tool station bore
X [mm]	30 (1.18")
Y [mm]	–
Z [mm]	–
INDEX TRAUB products	G160 • G300 • V100 • V200 • A200-6 • B400 • C200 • G220 • G250 • R300 • TNX65/42 • V160C • V160G • V300 • TNA300 • TNA400.2 • G300.2 • G320.2 • G220.3 • TNX220.3 • TNX200.3 • G200.3 • G320.3 compact • B400.3 • TNA400.3



## **Documents**

No downloads available for this product