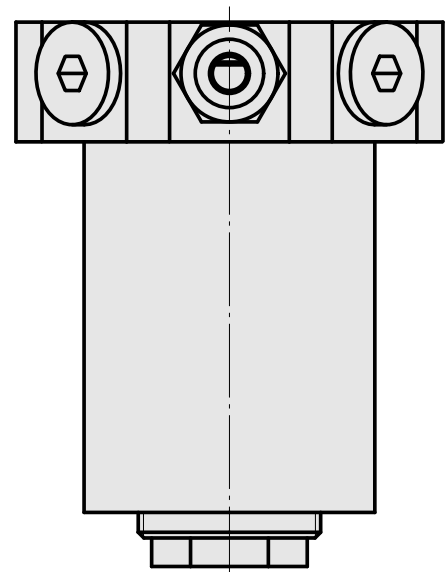
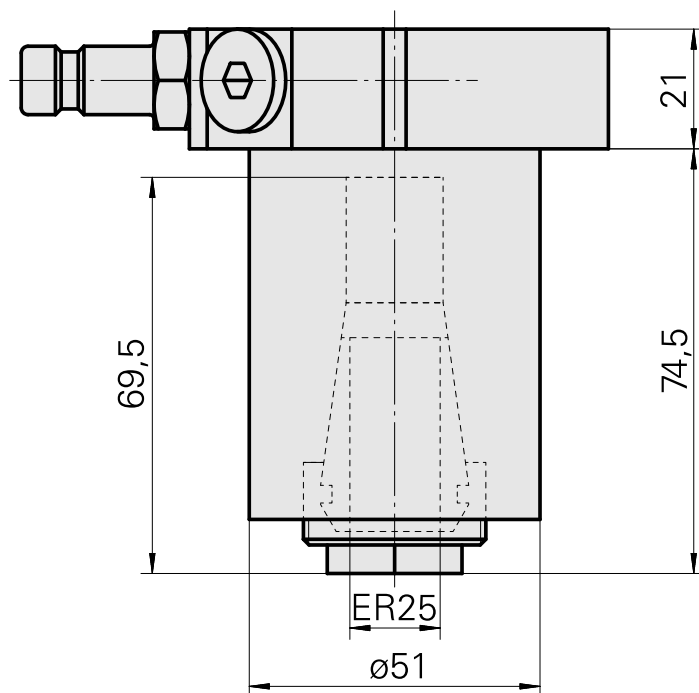
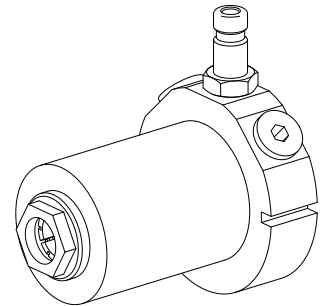


钻头刀架 **ER25**

Technical data

Drive	not live
Fixation MS	Clamping ring D51
Cooling	internal
Pressure	80 bar
Mounting	ER25
X [mm]	-
Y [mm]	-
Z [mm]	74.5 (2.93)
INDEX TRAUB products	MS52C • MS52-6.3



Documents

No downloads available for this product

Accessories

Required for operation

[Spanner](#)

Product ID : 10179444

Previous product ID : 490219.3251

TH accessories category Tool	Mounting ER25	Collet type ER 25	Clamping nut type Male thread
Tools for Collet chucks Clamping nut wrench			

[Fork spanner](#)

Product ID : 10681489

Previous product ID : 203001.2427

Optional accessories

Tool holder accessories

[Clamping nut](#)

Product ID : 10630063

Previous product ID : 901939.5251

TH accessories category Clamping nut	Mounting ER25	Collet type ER 25	Clamping nut type Male thread
---	------------------	----------------------	----------------------------------

Other accessories

[Clamping collet](#)

Product ID : 10206464

Previous product ID : 901930.3---

10226103
W5190107

INDEX

[tapping tool collet ET-1-25](#)

Product ID : 10191234
Previous product ID : 3224--

[tapping tool collet](#)

Product ID : 10256515
Previous product ID : WZ9990.9507F

[Collet chuck](#)

Product ID : 10029756
Previous product ID : W999067-
