

## WFB 32-20 Shrink-fit mounting D16, 2-piece type

### Technical data

TH accessories category

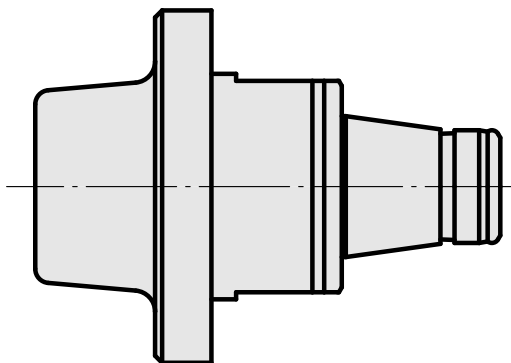
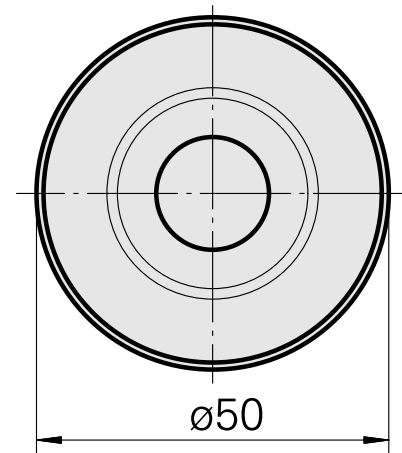
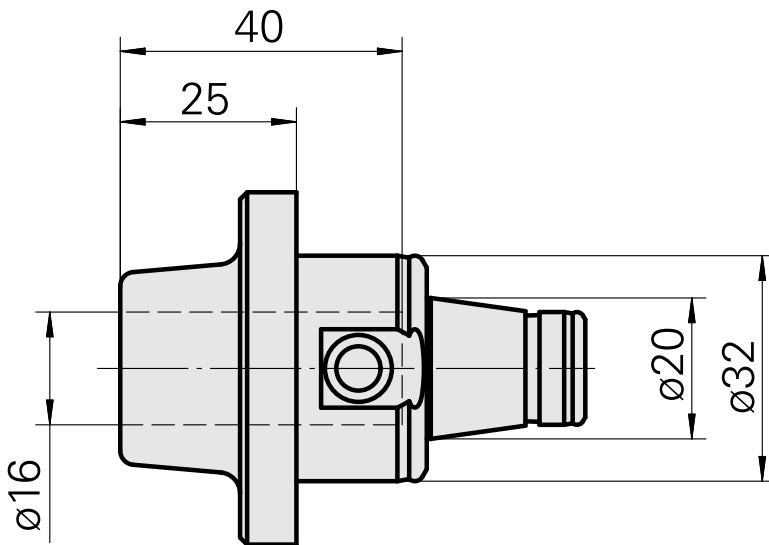
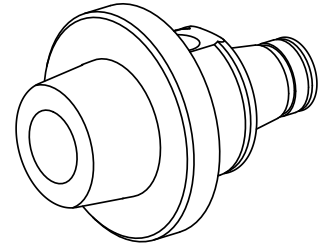
WFB 32-20

Mounting

Shrink-fit mounting D16

Quick change inserts

shrink-fit mounting



10166771  
836267

**INDEX**

---

## **Documents**

No downloads available for this product