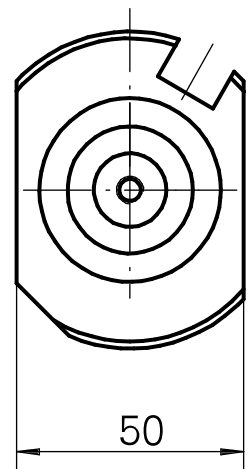
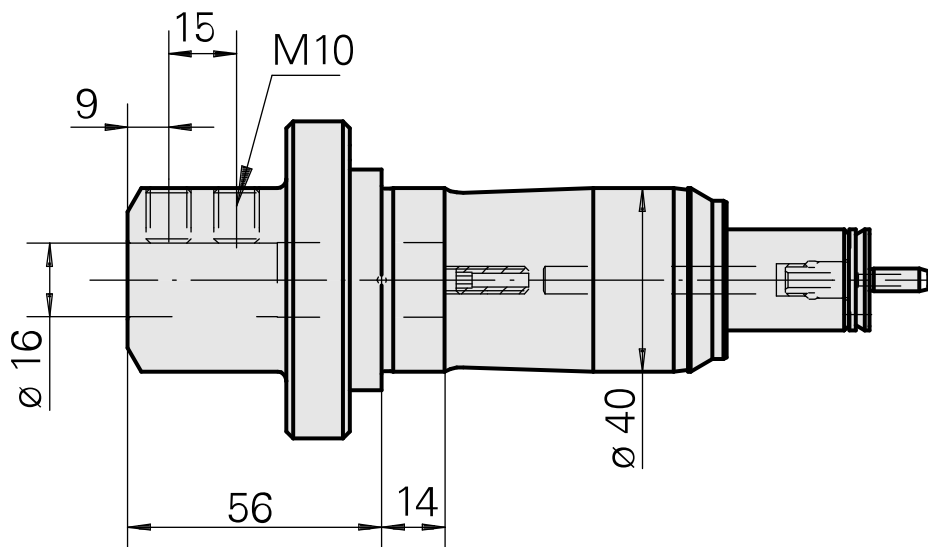
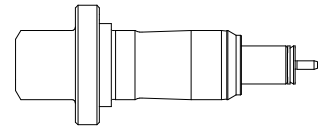


钻头刀架 刀柄 40 D16

Technical data

Shank TNL	Shank 40
Drive	not live
Cooling	internal
Pressure	120 bar
Mounting	D16
INDEX TRAUB products	TNK36 • TNL26



10117266
984510

INDEX

Documents

No downloads available for this product