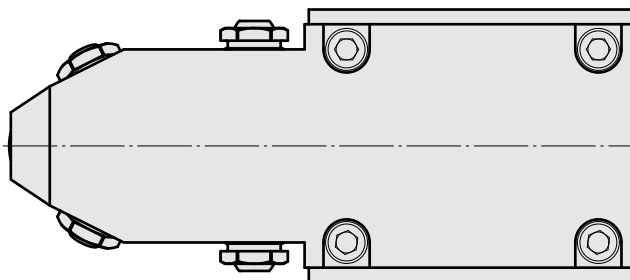
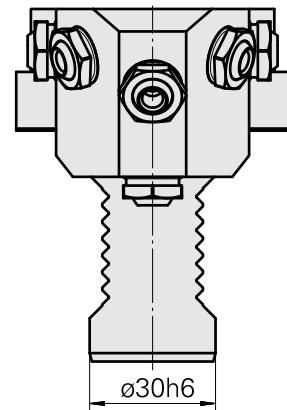
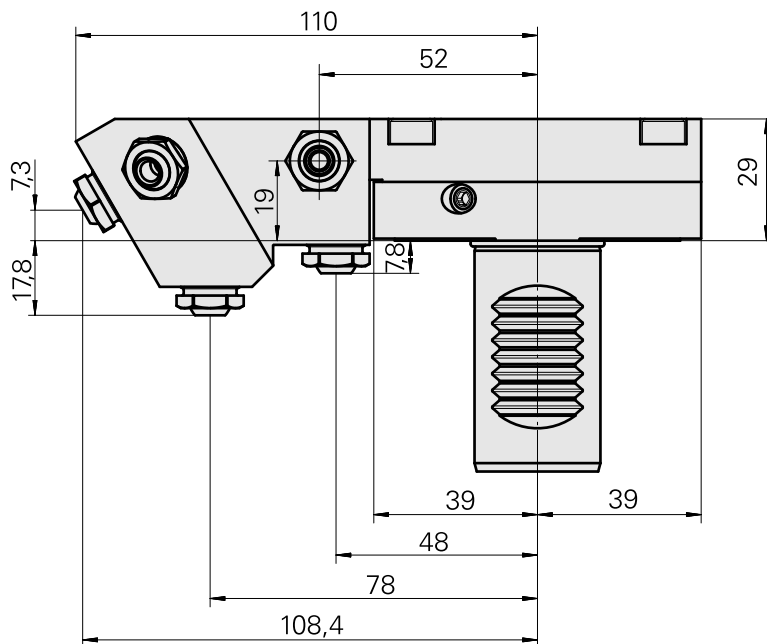
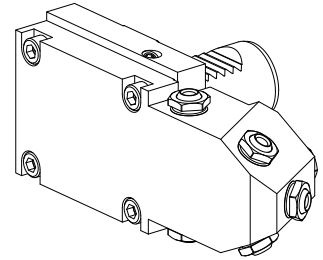


Flush holder VDI 30

Technical data

Shank VDI	VDI 30
Drive	not live
Fixation VDI	none
Cooling	external
Pressure	80 bar
reversible 180°	yes
Data carrier	check tool station bore
X [mm]	–
Y [mm]	–
Z [mm]	–
INDEX TRAUB products	G200.3 • G220.3 • G300.2 • G320.2 • TNX200.3 • TNX220.3



Documents

No downloads available for this product

Accessories

Optional accessories

Other accessories

[Locking screw](#)

Product ID : 10513297

Previous product ID : 410772.1010
