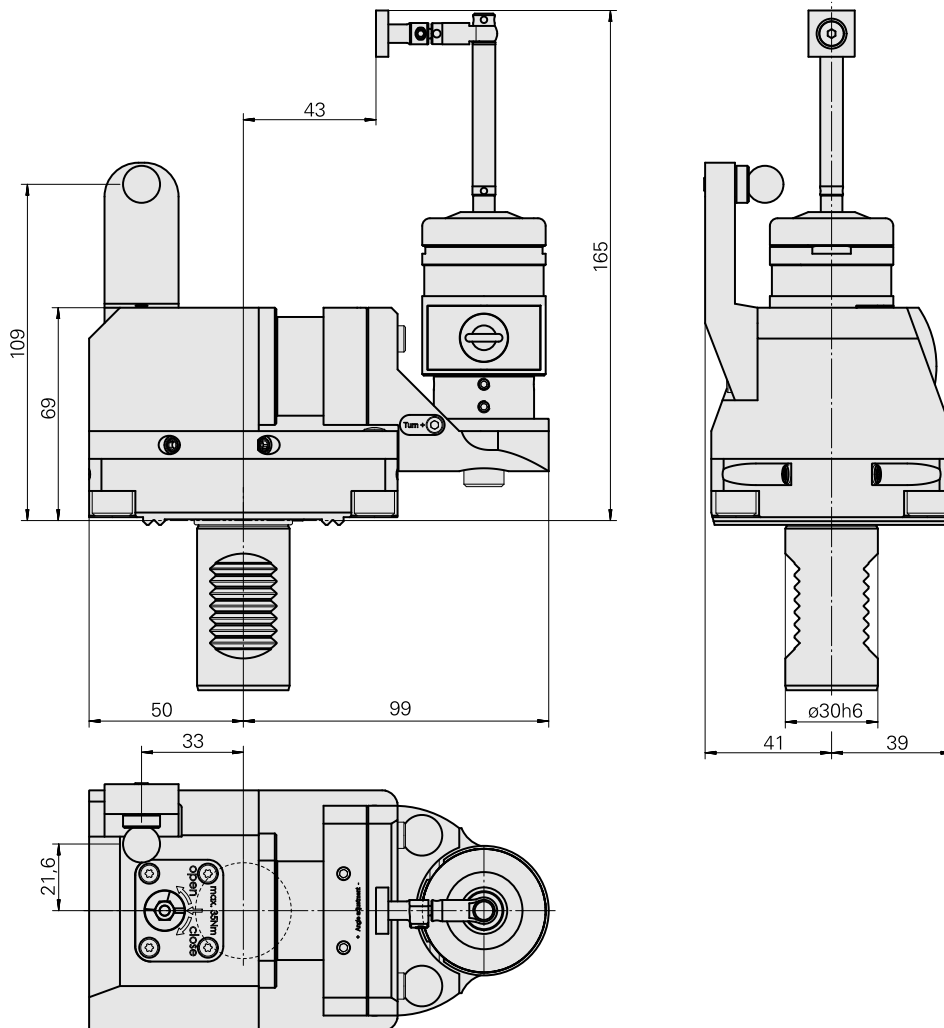
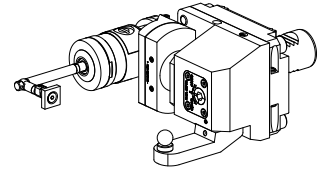


## Touch probe VDI 30

### Technical data

Shank VDI	VDI 30
Drive	not live
Fixation VDI	W serration
Cooling	external
Pressure	20 bar
reversible 180°	yes
X [mm]	–
Y [mm]	–
Z [mm]	–
INDEX TRAUB products	G220



## **Documents**

No downloads available for this product