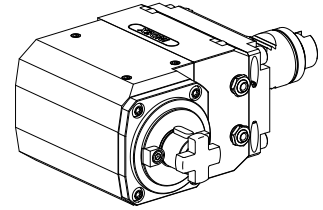


Milling unit VDI 40 2:1 Milling shaft D2

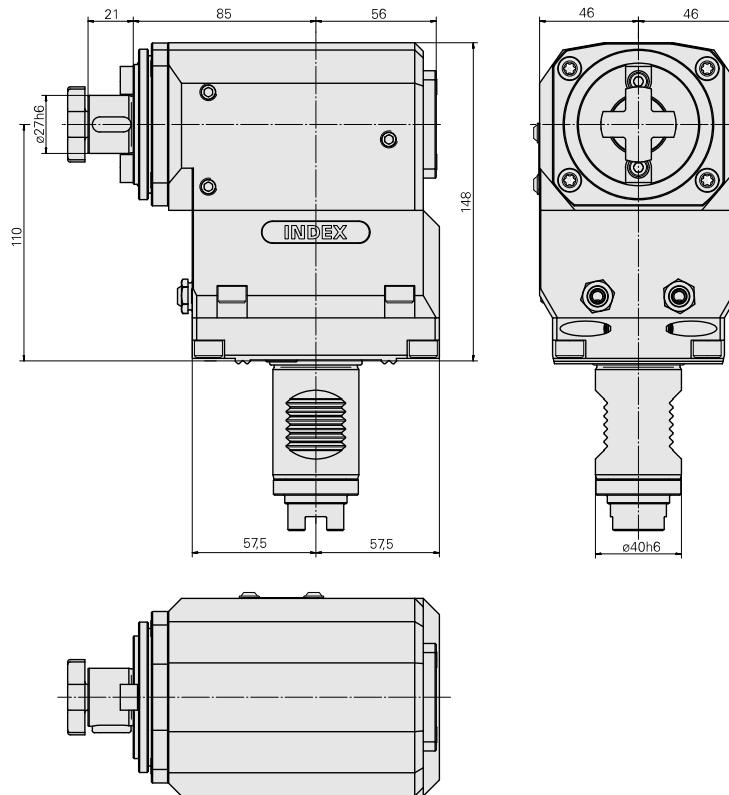
Technical data

Shank VDI	VDI 40
Drive	Dog clutch
Fixation VDI	W serration
Speed ratio	2:1
Cooling	external
Pressure	80 bar
Mounting	Milling shaft D27
reversible 180°	yes
Direction	same as drive direction
X [mm]	110 (4.33")
Y [mm]	–
Z [mm]	85 (3.35)
INDEX TRAUB products	G500 • B400 • B500 • G300.2 • G320.2 • G400.2 • G420 • G520 • TNA400.2 • TNA500.2 • B400.3 • TNA400.3 • B500.3 • TNA500.3



Note

Tool carrier at top: Can only be used in the direction of the main spindle



Documents

No downloads available for this product

Accessories

Required for operation

[Screw](#)

Product ID : 10085152

Previous product ID : 250122.1235

TH accessories category Cutter tightening screw	Mounting M12
---	-----------------

[mill arbor wrench](#)

Product ID : 10860744

Previous product ID : 203020.1270

TH accessories category Tool	Mounting Milling shaft D27	Tools for Collet chucks Mill arbor wrench
------------------------------------	-------------------------------	--

Optional accessories

Tool holder accessories

[Coolant tube, L=100 mm \(3.93"\)](#)

Product ID : 10346684

Previous product ID : W9990559

TH accessories category Cooling lubricant tube	Mounting M6
--	----------------

Other accessories

[Ring](#)

Product ID : 10398855

Previous product ID : 251390.----

[Ring](#)

Product ID : 10169490

Previous product ID : 251391.-----

[HOLLOW SCREW M14x1 M14x1](#)

Product ID : 10105238

Previous product ID : W67530.0818

[BUSHING 10 D x 6 D x 12,5](#)

Product ID : 10670360

Previous product ID : W67530.0824

[Coolant Nozzle](#)

Product ID : 11031912

Previous product ID : W67500.3208
