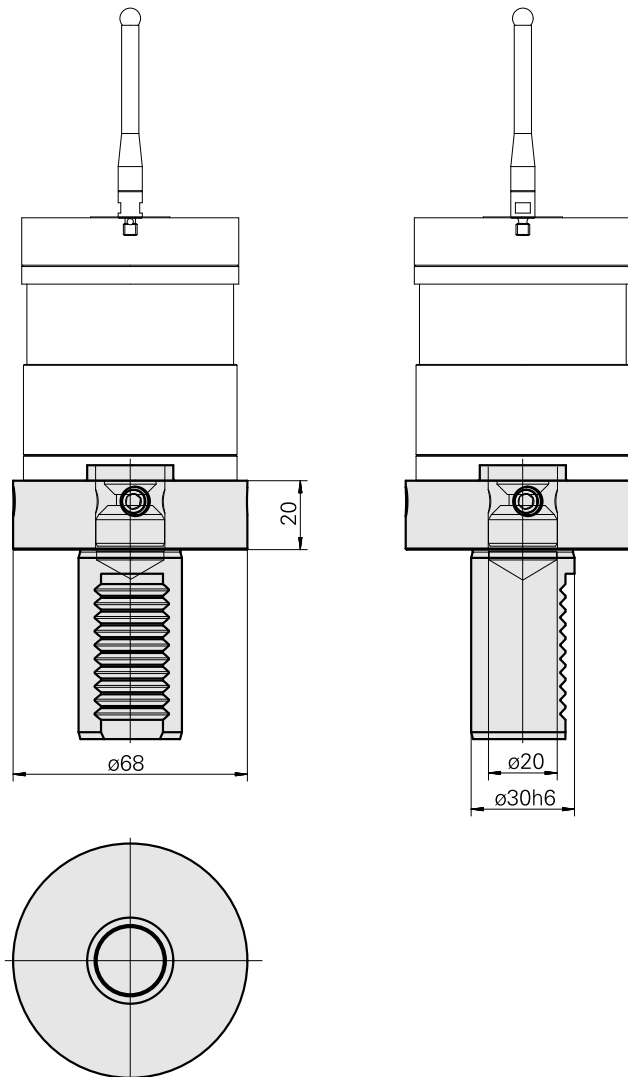


Probe holder VDI 30 Renishaw D20

Technical data

Shank VDI	VDI 30
Drive	not live
Fixation VDI	none
Mounting	Renishaw D20
reversible 180°	no
Data carrier	check tool station bore
X [mm]	20 (0.79")
Y [mm]	-
Z [mm]	-



Documents

No downloads available for this product

Accessories

Required for operation

[Probe holder](#)

Product ID : 12146926

Previous product ID :

[Push-button insert](#)

Product ID : 12133466

Previous product ID :

[Probe](#)

Product ID : 10338967

Previous product ID : 487542.1441

Optional accessories

Other accessories

[Case A-2033-7001](#)

Product ID : 10259626

Previous product ID : 487542.0911
