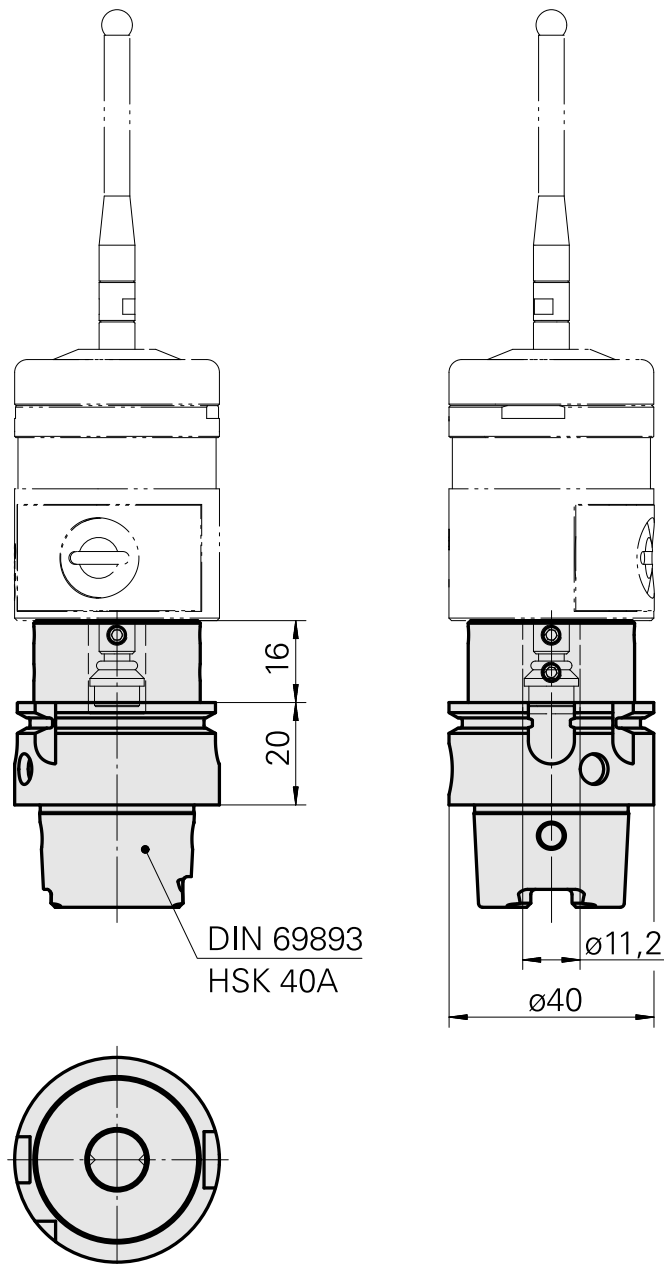
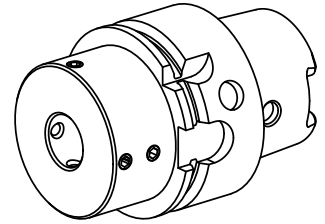


## Probe holder HSK 40 A Renishaw D11,2

### Technical data

Shank HSK	HSK 40
Form HSK	A
Mounting	Renishaw D11,2
X [mm]	36 (1.42")
Z [mm]	-



---

## Documents

No downloads available for this product

## Accessories

Required for operation

### Not defined

Product ID : 12133465

Previous product ID :

---

### Push-button insert

Product ID : 12133466

Previous product ID :

---

## Optional accessories

### Tool holder accessories

#### Coolant adapter kit

Product ID : 10581780

Previous product ID : WS7400.0020

TH accessories  
category  
Cooling lubricant  
transfer set

Mounting  
HSK 40 A/C

#### Socket wrench

Product ID : 10532354

Previous product ID : WS7400.0010

TH accessories  
category  
Tool for KSS adapter

Mounting  
HSK 40 A/C

### Other accessories

Probe

Product ID : 10338967

Previous product ID : 487542.1441

---

Case A-2033-7001

Product ID : 10259626

Previous product ID : 487542.0911

---