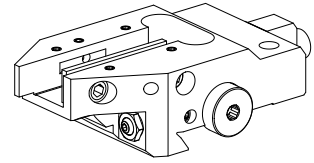


Turning tool holder MS16/MS22 Square 16x

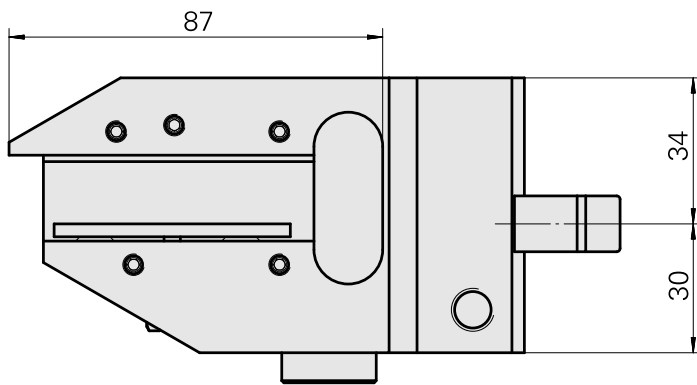
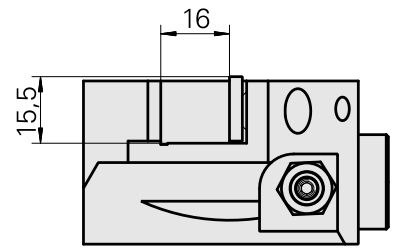
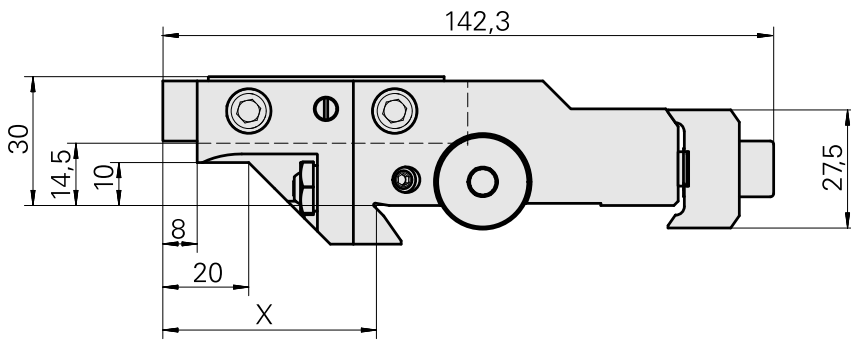
Technical data

Slide system MS	MS16/MS22
Drive	not live
Fixation MS	Dovetail
Cooling	external and internal
Pressure	80 bar
Direction	right-handed run
Mounting	Square 16x16
X [mm]	49.7 (1.96")
Y [mm]	–
Z [mm]	14.5 (0.57)
INDEX TRAUB products	A100 • MS16-6 • MS22-6 • MS22-8 • MS24-6 • MS24-8 • MS16-6 Plus



Note

Stop plate is not included!



X	49,7
---	------

Documents

No downloads available for this product

Accessories

Optional accessories

Tool holder accessories

[Plate, height 4 mm \(0.15"\)](#)

Product ID : 12050311

Previous product ID :

TH accessories
category
Compensation plate

Mounting
Square 16x16

Other accessories

[Stop plate](#)

Product ID : 12125993

Previous product ID :

[Ball nozzle D8xM5](#)

Product ID : 10392450

Previous product ID : W02019.0002

[Hollow screw M12x1](#)

Product ID : 10757766

Previous product ID : W02013.0001

[SET SCREW](#)

Product ID : 10244712

Previous product ID : 410156.0505

[Bush 4x8x12](#)

Product ID : **10831938**

Previous product ID : **W02010.0002**
