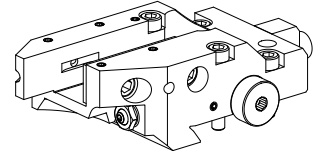


## Turning tool holder MS16/MS22 Square 20x

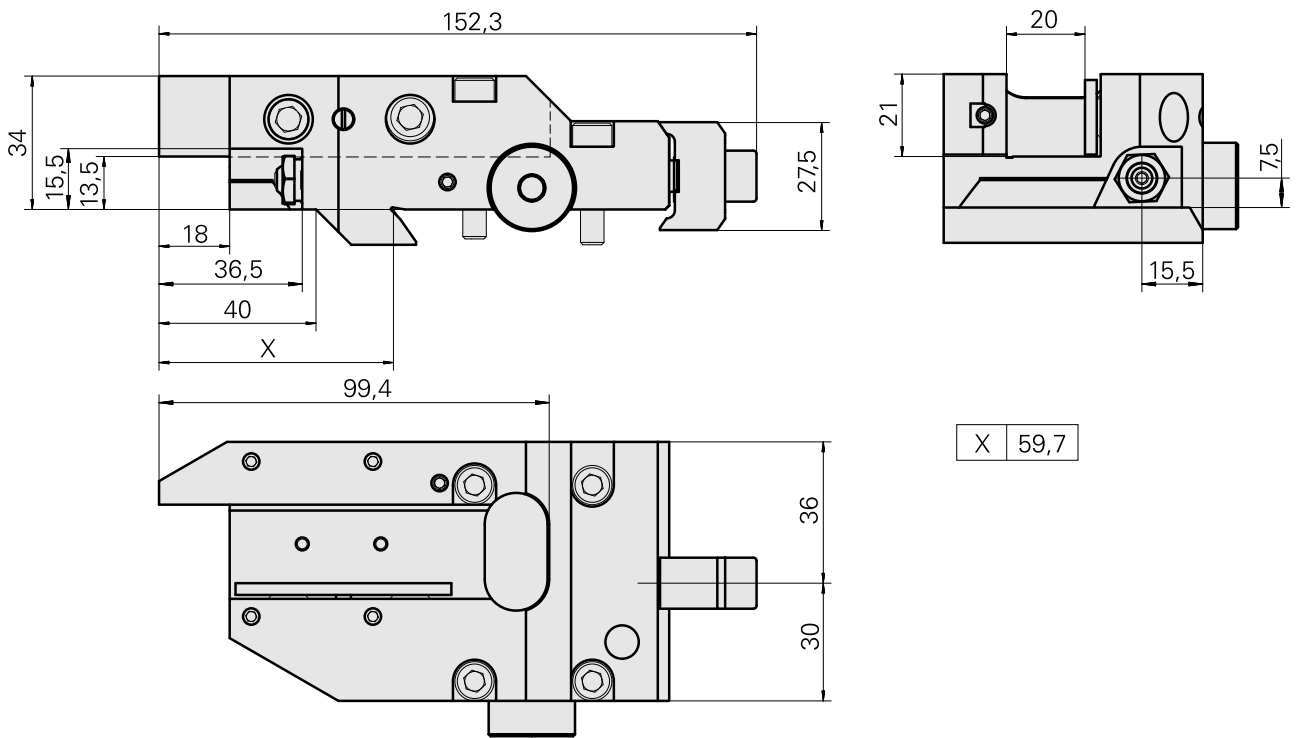
### Technical data

<b>Slide system MS</b>	MS16/MS22
<b>Drive</b>	not live
<b>Fixation MS</b>	Dovetail
<b>Cooling</b>	external and internal
<b>Pressure</b>	80 bar
<b>Direction</b>	right-handed run
<b>Mounting</b>	Square 20x20
<b>X [mm]</b>	60 (2.36")
<b>Y [mm]</b>	–
<b>Z [mm]</b>	13.5 (0.53)
<b>INDEX TRAUB products</b>	A100 • MS22-6 • MS22-8 • MS24-6 • MS24-8



### Note

Stop plate is not included!



## Documents

No downloads available for this product

## Accessories

### Optional accessories

#### Other accessories

##### [Stop plate](#)

Product ID : 12124016

Previous product ID :

---

##### [Plate](#)

Product ID : 10367559

Previous product ID : W00016.0123

---

##### [Ball nozzle D8xM5](#)

Product ID : 10392450

Previous product ID : W02019.0002

---

##### [Hollow screw M12x1](#)

Product ID : 10757766

Previous product ID : W02013.0001

---

##### [Socket head screw](#)

Product ID : 10271192

Previous product ID : 410270.0512

---

##### [Grub screw M 4x6](#)

Product ID : 10238758

Previous product ID : 410158.0406

---