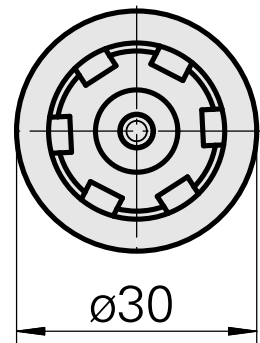
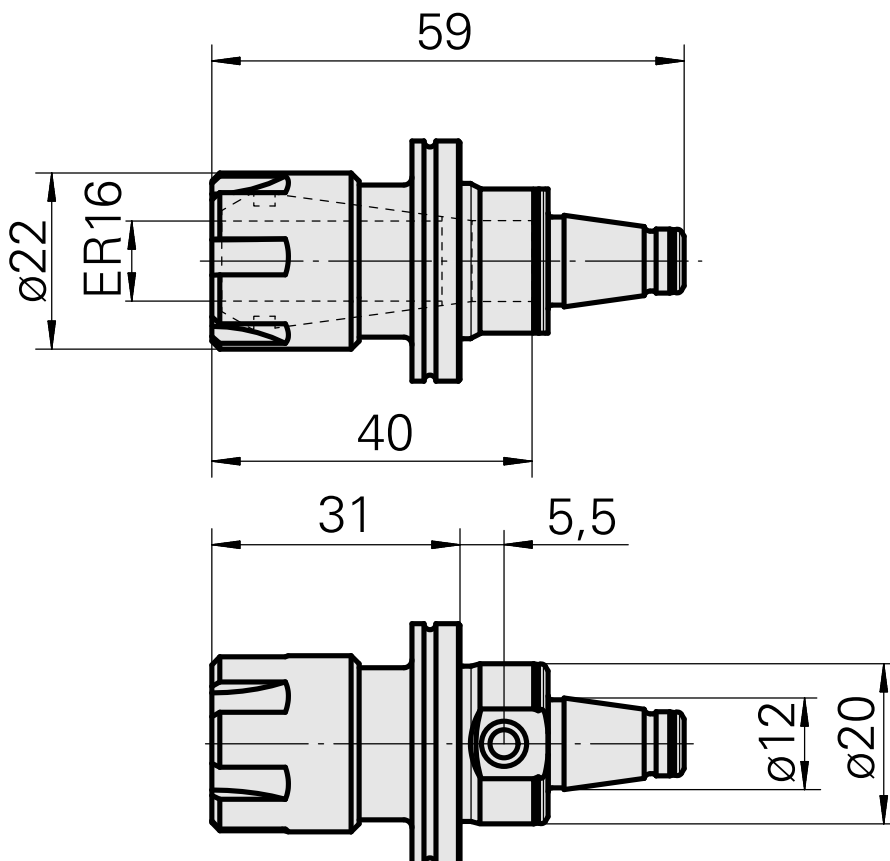
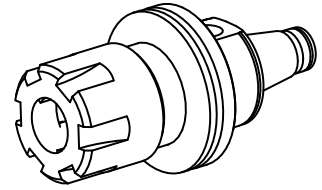


WFB 20-12 ER16

Technical data

TH accessories category	WFB 20-12
Mounting	ER16
Clamping nut type	Female thread diameter reduced
Quick change inserts	collet mounting



Documents

No downloads available for this product

Accessories

Required for operation

[Spanner 7111.16000](#)

Product ID : 10621809

Previous product ID : 490219.2161

TH accessories category Tool	Mounting ER16	Collet type ER 16	Clamping nut type Female thread diameter reduced
Tools for Collet chucks Clamping nut wrench			

Optional accessories

Tool holder accessories

[Clamping nut](#)

Product ID : 10178506

Previous product ID : 901939.6161

TH accessories category Clamping nut	Mounting ER16	Collet type ER 16	Clamping nut type Female thread diameter reduced
-----------------------------------------	------------------	----------------------	-----------------------------------------------------

Other accessories

[Clamping collet](#)

Product ID : 10834596

Previous product ID : 901930.1---

[Clamping collet](#)

Product ID : 10589709

Previous product ID : W99903--

[tapping tool collet ET-1-16](#)

Product ID : 10542491

Previous product ID : 3230--

[tapping tool collet](#)

Product ID : 10865233

Previous product ID : WZ9990.9506F

[Collet chuck](#)

Product ID : 10870393

Previous product ID : W999065-

[Clamping collet, sealed](#)

Product ID : 10433061

Previous product ID : W999083-
