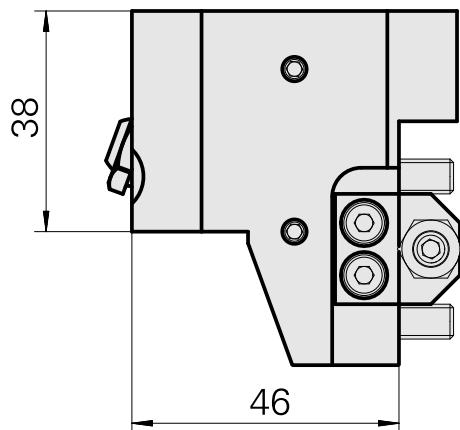
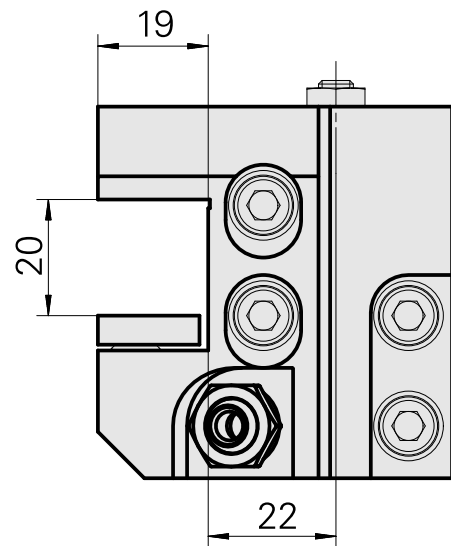
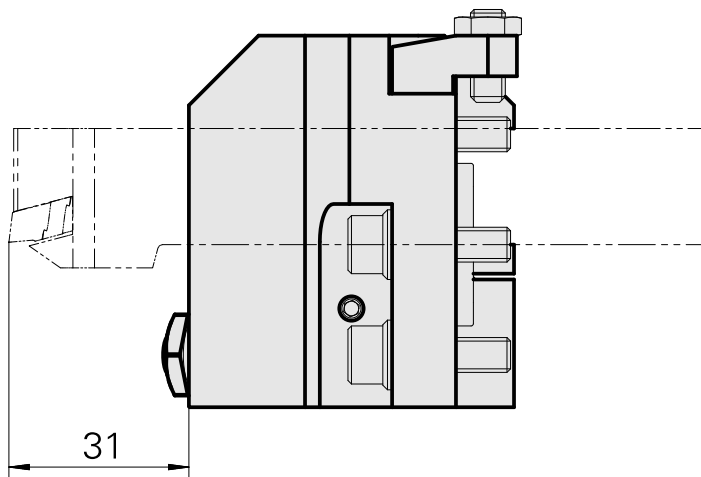
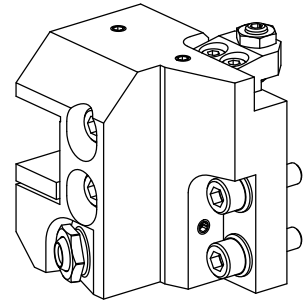


## Grooving tool holding block Square 20x20, adjustable in Y direction

### Technical data

<b>Drive</b>	not live
<b>Cooling</b>	external
<b>Pressure</b>	80 bar
<b>Direction</b>	right-handed run
<b>Mounting</b>	Square 20x20
<b>X [mm]</b>	-
<b>Y [mm]</b>	-
<b>Z [mm]</b>	-
<b>INDEX TRAUB products</b>	MS16-6 • MS16-6 Plus



## Documents

No downloads available for this product

## Accessories

Optional accessories

### Other accessories

#### [BUSHING 10 D x 6 D x 12,5](#)

Product ID : 10670360

Previous product ID : W67530.0824

---

#### [HOLLOW SCREW M14x1 M14x1](#)

Product ID : 10105238

Previous product ID : W67530.0818

---

#### [Coolant Nozzle](#)

Product ID : 11031912

Previous product ID : W67500.3208

---