

Presetting device

Technical data

TH accessories category

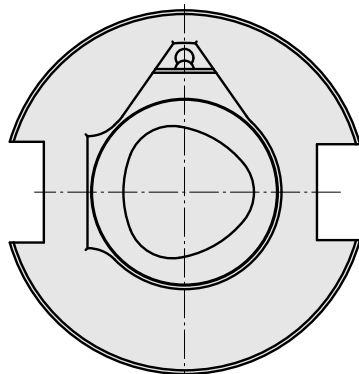
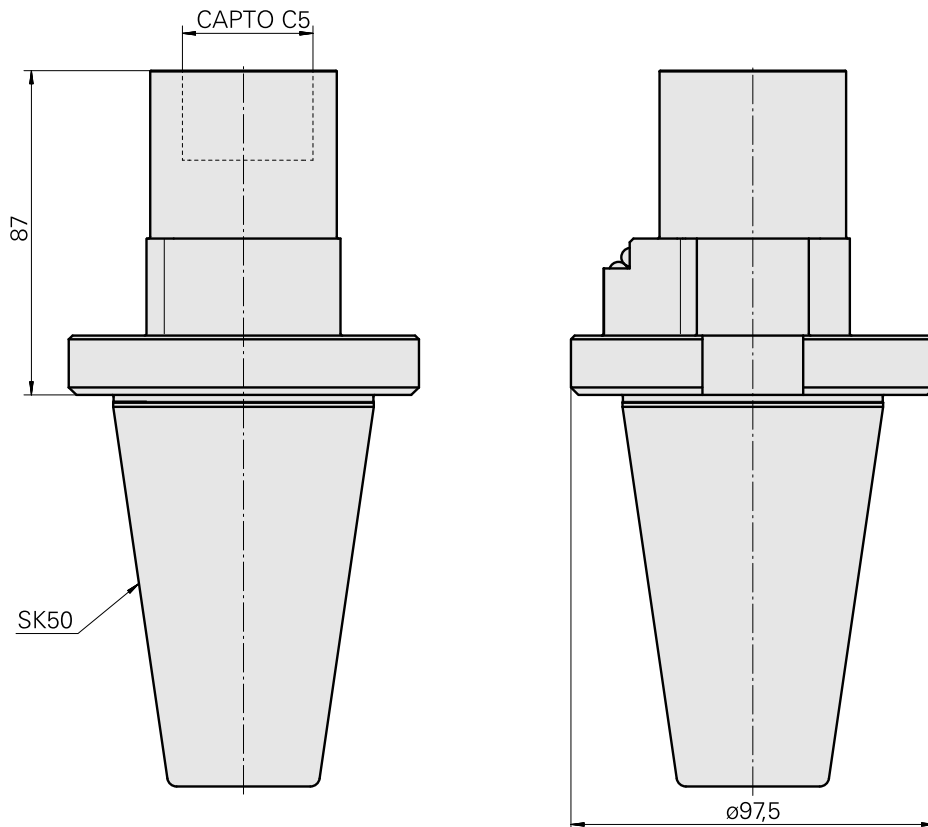
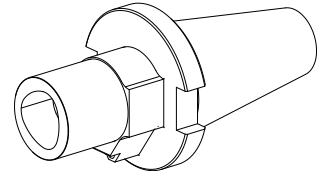
Adapter for presetting units

Mounting

SK50

Tool mounting

CAPTO C5



Documents

No downloads available for this product