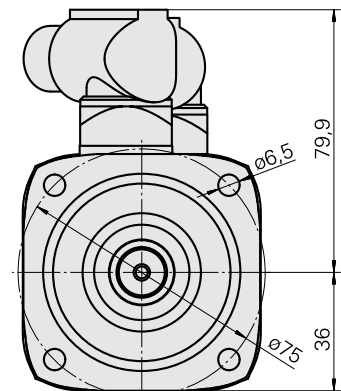
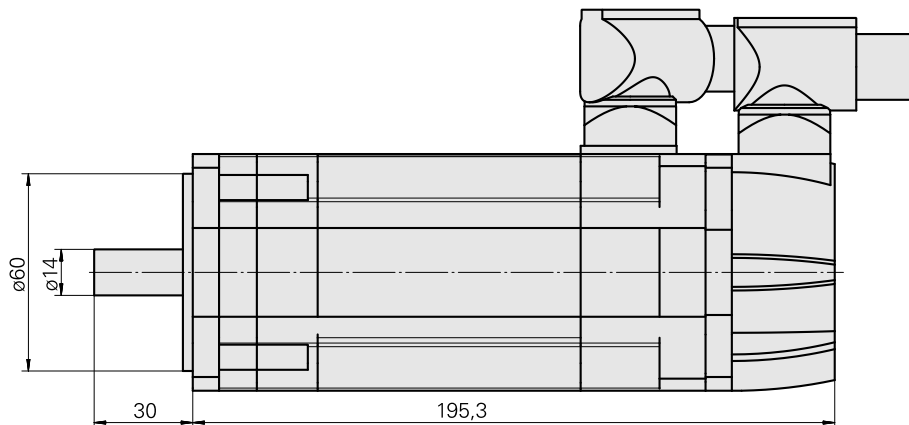
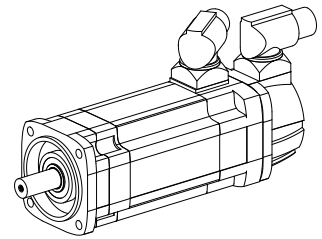


AC motor

Technical data

manufacturer product line	Siemens
Electrical assemblies	Servomotor
manufacturer product line	1FT7
Voltage	600 Volt
(Nominal) speed (rpm)	6000 1/minute
Rated power W	900 Watt
(Stall) torque [Nm]	2 Newton/meter
Plug connection/type	M23 (size 1 / encoder)
Protection class	IP67
Encoder resolution (ST)	2048 Piece
Encoder type	Increment
Brake	no – unbraked
Motor design	IM B5



Documents

No downloads available for this product