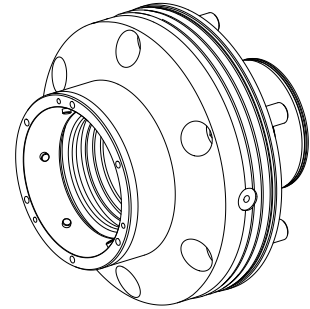


Chuck

Technical data

INDEX TRAUB products	B500 • TNA500.2 • B500.3 • TNA500.3
Spindle clearance	102mm
Machining side	Main spindle
Ext. manufact. product feature	Modular
manufacturer product line	SPANNTOP nova chuck
Spindle mounting	KK11
Clamping device size	SK100
manufacturer product line	Hainbuch



No 3-side view is currently available for this product

Documents

No downloads available for this product