

Presetting device /INDEX CAPTO C6

Technical data

TH accessories category

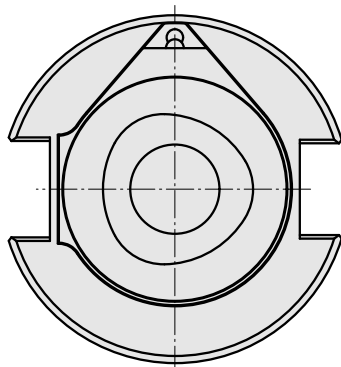
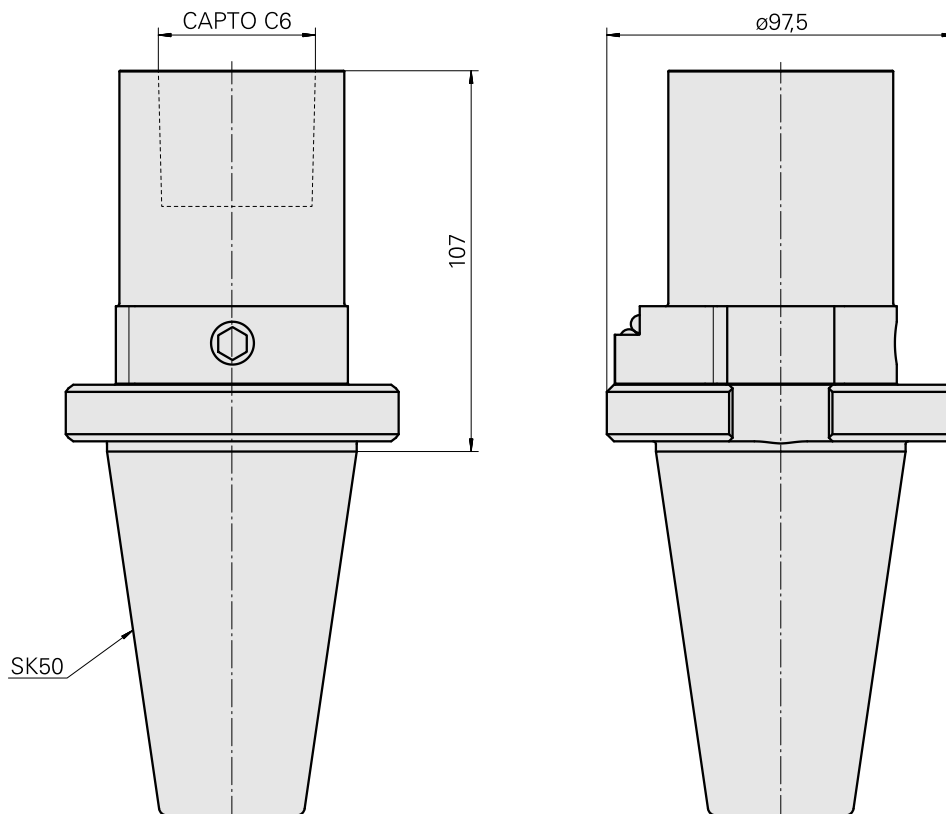
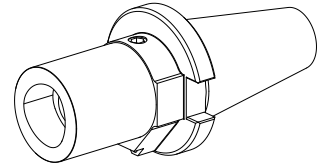
Adapter for presetting units

Mounting

SK50

Tool mounting

CAPTO C6



Documents

No downloads available for this product