

## Automatic Tool Calculation

### Technical data

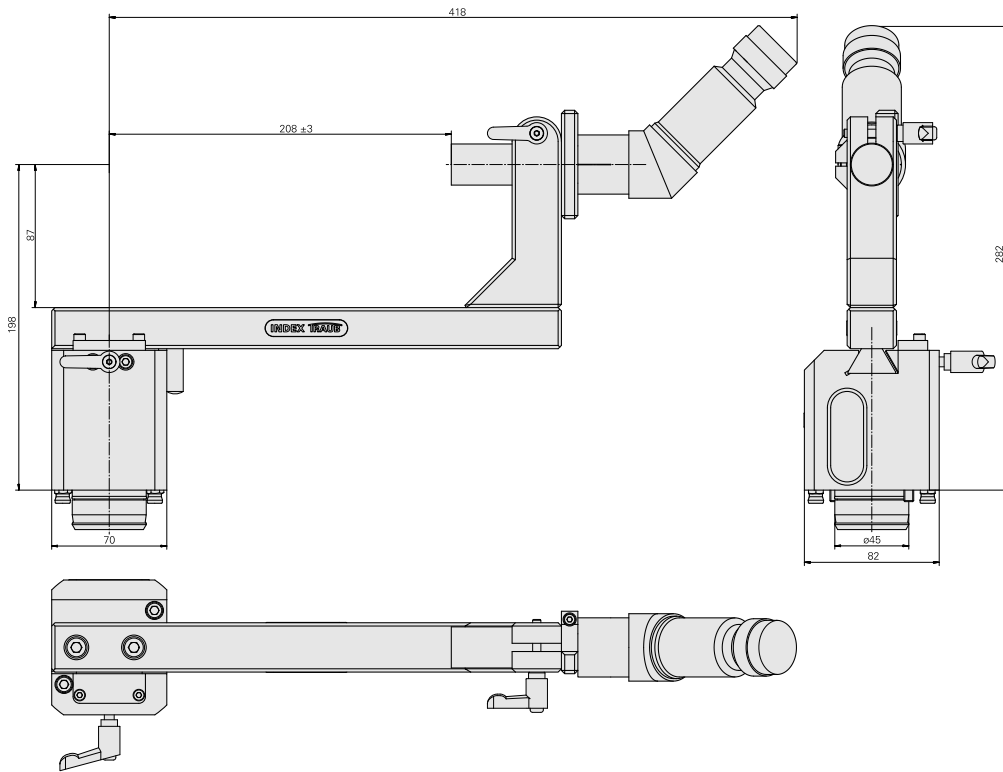


<b>Shank KPS</b>	KPS 45
<b>Drive</b>	not live
<b>INDEX TRAUB products</b>	TNL20 • TNL32 • TNL32-11 • TNL32-11 compact • TNL20-11 • TNL32 compact • TNK40.2-10 • TNL20.2 • TNK40.2
<b>TH accessories category</b>	Automatic Tool Calculation
<b>INDEX TRAUB products</b>	TNL20 • TNL32 • TNL32-11 • TNL32-11 compact • TNL20-11 • TNL32 compact • TNK40.2-10 • TNL20.2 • TNK40.2

### Note

Tool measurement in the machine. An INDEX service technician is required before initial commissioning of Automatic Tool Calculation.

Tool measurement in the machine. An INDEX service technician is required before initial commissioning of Automatic Tool Calculation.



## Documents

### Product notes

[DE \(pdf\)](#)

[EN \(pdf\)](#)

[FR \(pdf\)](#)

[DE \(pdf\)](#)

[EN \(pdf\)](#)

[FR \(pdf\)](#)

## Accessories

### Optional accessories

#### Tool holders with compact shank

#### [Setting tool holder KPS 45](#)

Product ID : 12108774

Previous product ID :

Shank KPS KPS 45	Drive not live	reversable 180° yes	X [mm] 100 (3.94")
Y [mm] 0	Z [mm] 44 (1.73)	INDEX TRAUB products TNL20 • TNL20-11 • TNL20-9 • TNL20-9B • TNK40.2-10 • TNL32 • TNL32 compact • TNL32-11 • TNL32-11 compact • TNL20.2 • TNK40.2	