

INDEX CAPTO C6 ER25

Technical data

TH accessories category

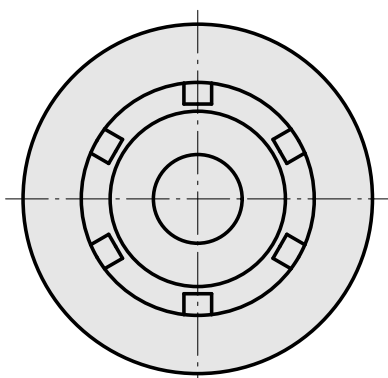
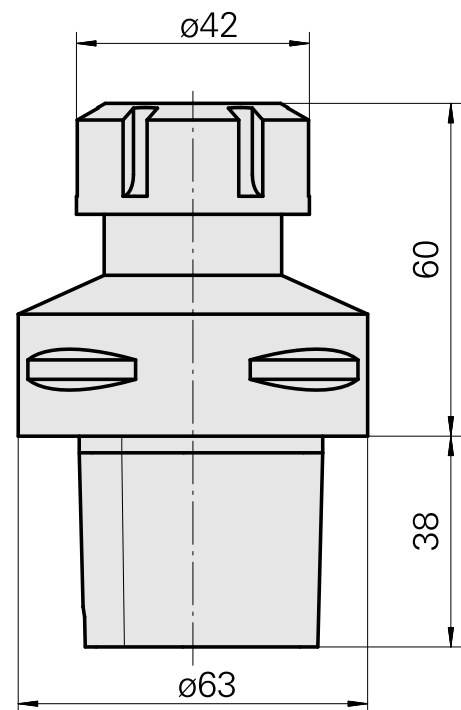
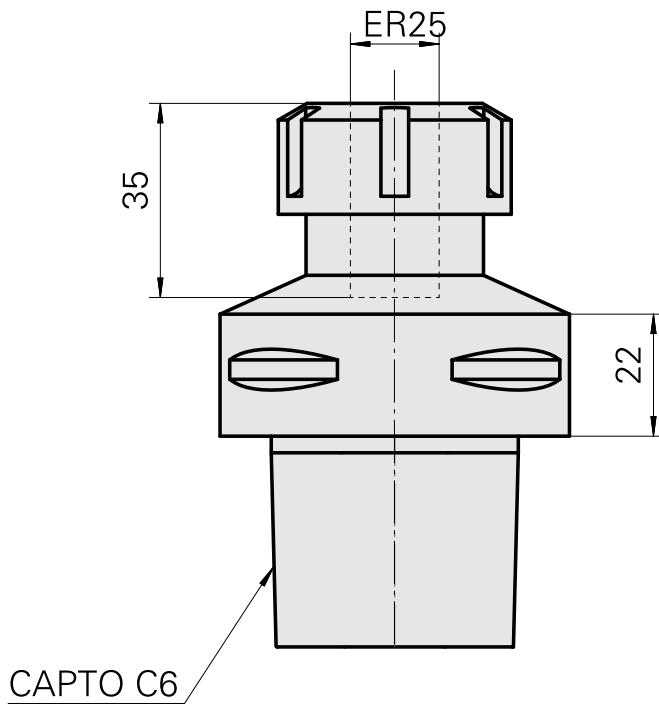
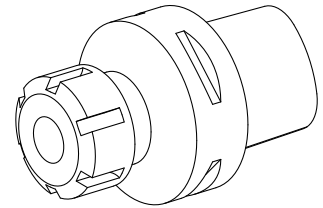
INDEX CAPTO C6

Mounting

ER25

Quick change inserts

collet mounting



Documents

No downloads available for this product

Accessories

Required for operation

[Coolant adapter kit](#)

Product ID : 10865732

Previous product ID : W00019.0109

TH accessories
category
Cooling lubricant
transfer set

Mounting
INDEX CAPTO C6

[Spanner](#)

Product ID : 10802433

Previous product ID : 490219.0251

TH accessories
category
Tool

Mounting
ER25

Collet type
ER 25

Clamping nut type
Female thread

Tools for Collet chucks
Clamping nut wrench

[Socket wrench](#)

Product ID : 12144844

Previous product ID :

TH accessories
category
Tool for KSS adapter

Mounting
INDEX CAPTO C6

Optional accessories

Tool holder accessories

[Clamping nut](#)

Product ID : 10193990

Previous product ID : 901939.0251

TH accessories
category
Clamping nut

Mounting
ER25

Collet type
ER 25

Clamping nut type
Female thread

Other accessories

[Clamping collet](#)

Product ID : 10206464

Previous product ID : 901930.3---

[Clamping collet, sealed](#)

Product ID : 10698406

Previous product ID : W999085-

[tapping tool collet ET-1-25](#)

Product ID : 10191234

Previous product ID : 3224--

[tapping tool collet](#)

Product ID : 10256515

Previous product ID : WZ9990.9507F

[Collet chuck](#)

Product ID : 10029756

Previous product ID : W999067-
