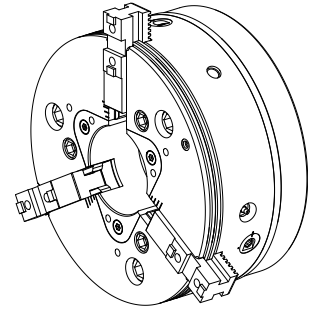


## 3-jaw chuck

### Technical data

<b>INDEX TRAUB products</b>	G420 • G400.2 • G500 • G520
<b>Spindle clearance</b>	120mm
<b>Machining side</b>	Main spindle • Counter spindle
<b>manufacturer product line</b>	ROTA THW PLUS 315-104 A11
<b>Spindle mounting</b>	KK11
<b>Clamping device size</b>	315
<b>manufacturer product line</b>	Schunk



No 3-side view is currently available for this product

## **Documents**

No downloads available for this product