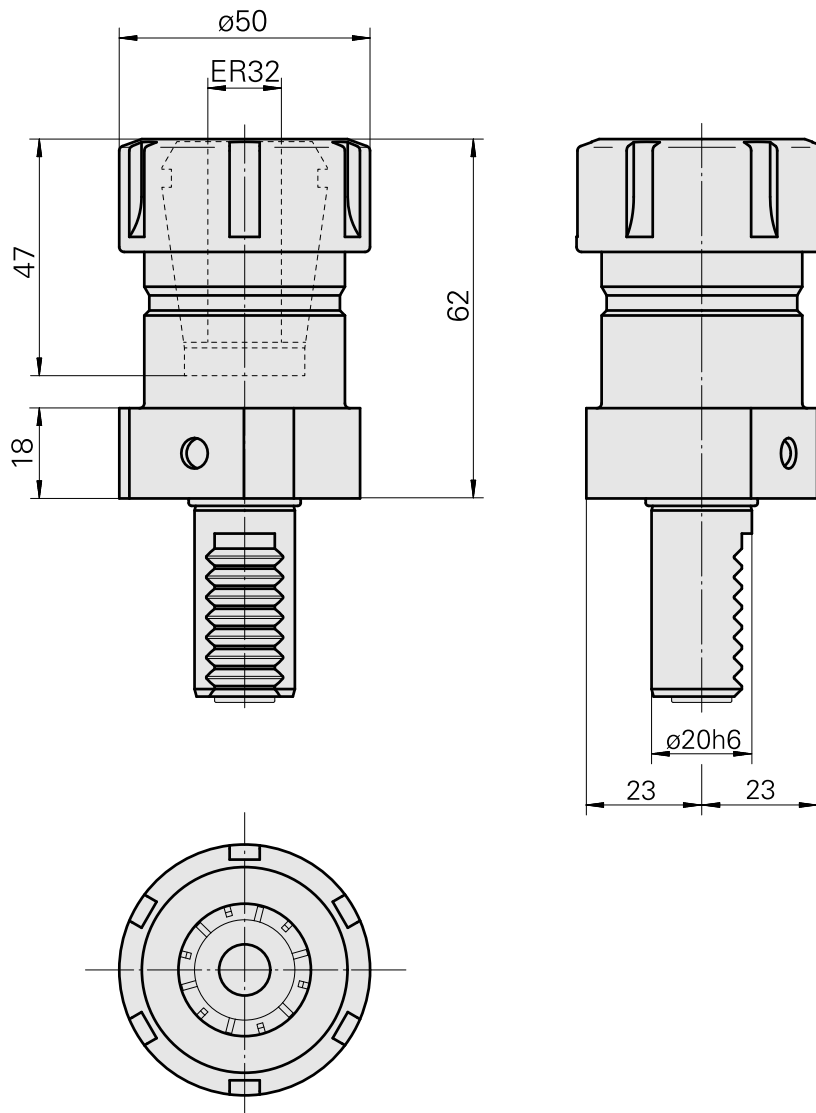
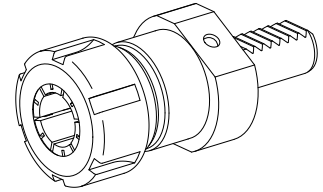


## Drilling tool holder VDI 20 ER32, Form E4

### Technical data

Shank VDI	VDI 20
Drive	not live
Fixation VDI	none
Cooling	internal
Mounting	ER32
X [mm]	62 (2.44")
Y [mm]	-
Z [mm]	-



## Documents

No downloads available for this product

## Accessories

### Optional accessories

#### Other accessories

#### [Clamping collet](#)

Product ID : 10187712

Previous product ID : 901930.6---

---

#### [tapping tool collet ET-1-32](#)

Product ID : 10640099

Previous product ID : 3242--

---

#### [tapping tool collet](#)

Product ID : 10601144

Previous product ID : WZ9990.9509F

---

#### [Collet chuck](#)

Product ID : 10659178

Previous product ID : W999068-

---