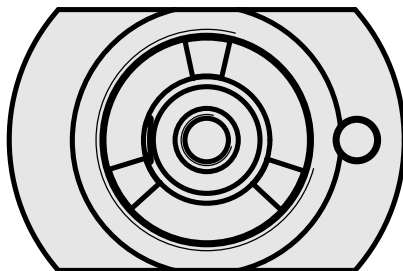
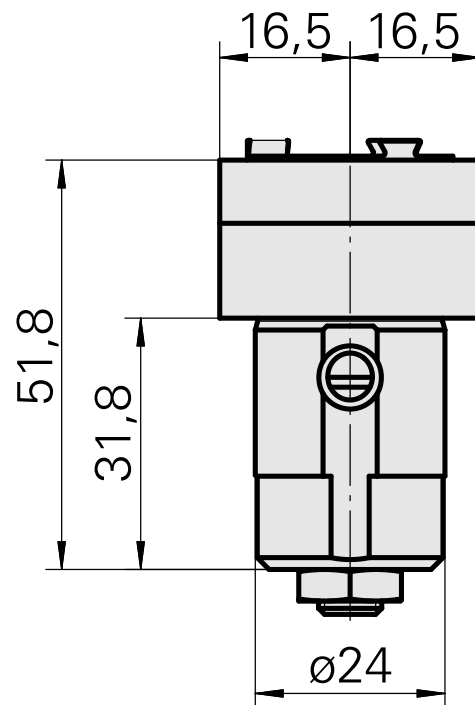
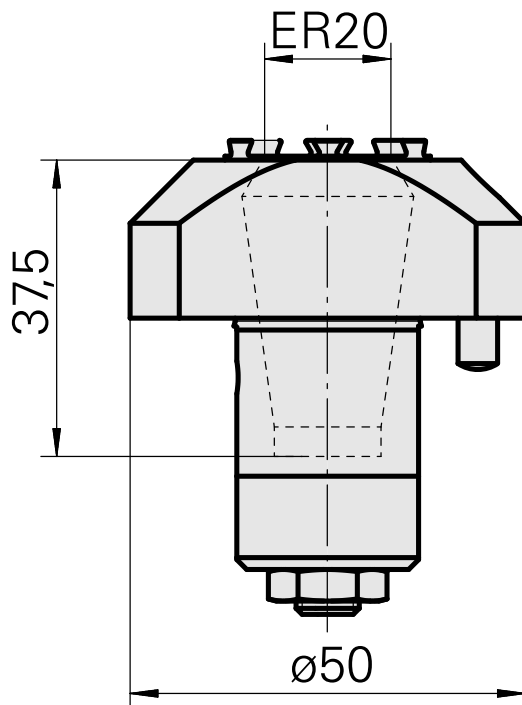
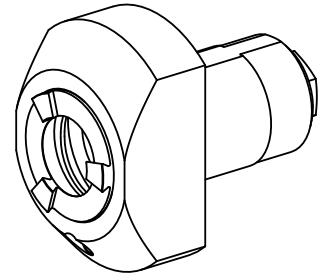


## Drill holding block ER20

### Technical data

|                      |  |
|----------------------|--|
| Drive                | not live   |
| Fixation MS          | Shank D24  |
| Mounting             | ER20   |
| X [mm]               | 20 (0.79")                                       |
| Y [mm]               | -  |
| Z [mm]               | -  |
| INDEX TRAUB products | MS32-6.2 • MS40-6 • MS40-8 •<br>MS32-6.3 • MS32C |



## Documents

No downloads available for this product

## Accessories

Required for operation

### [Spanner](#)

Product ID : 10085639

Previous product ID : 490219.3201

|  |                  |                      |                                  |
|--|------------------|----------------------|----------------------------------|
| TH accessories category<br>Tool                | Mounting<br>ER20 | Collet type<br>ER 20 | Clamping nut type<br>Male thread |
| Tools for Collet chucks<br>Clamping nut wrench |                  |                      |                                  |

## Optional accessories

### Tool holder accessories

### [Clamping nut](#)

Product ID : 10566942

Previous product ID : 901939.5201

|   |                  |                      |                                  |
|---|------------------|----------------------|----------------------------------|
| TH accessories category<br>Clamping nut | Mounting<br>ER20 | Collet type<br>ER 20 | Clamping nut type<br>Male thread |
|---|------------------|----------------------|----------------------------------|

### Other accessories

### [Clamping collet](#)

Product ID : 10863981

Previous product ID : 901930.2---

### [tapping tool collet ET-1-20](#)

Product ID : 10418139

Previous product ID : 3234--

Collet chuck

Product ID : 10135002

Previous product ID : W999066-

---