

3-jaw chuck

Technical data

INDEX TRAUB products

R300

Spindle clearance

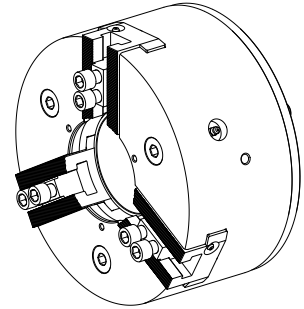
102mm

Machining side

Main spindle • Counter spindle

Spindle mounting

KK 8



No 3-side view is currently available for this product

Documents

No downloads available for this product

Accessories

Required for operation

[Adaptor](#)

Product ID : 10752279

Previous product ID : 908127.8351

[RING PG 20213](#)

Product ID : 10801809

Previous product ID : 479103.1141

manufacturer product line Trelleborg	TSS material no.	Cord size 1.78 Millimeter	manufacturer product line O-ring
--	------------------	------------------------------	--