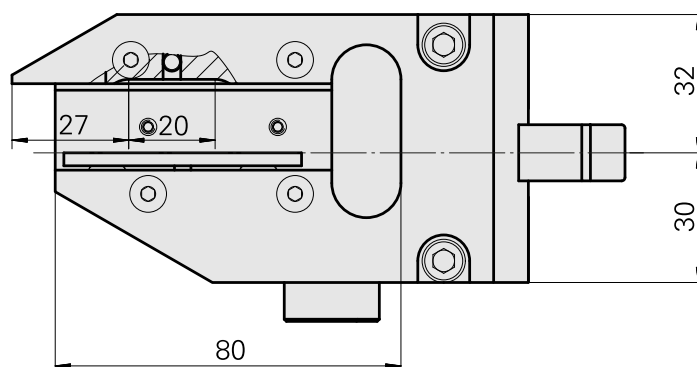
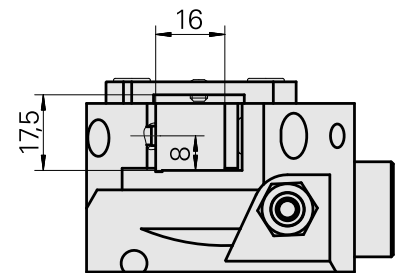
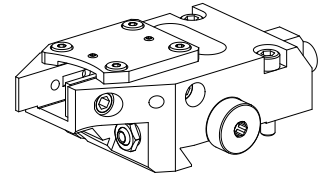


## Turning tool holder MS16/MS22 Square 16x

### Technical data

Slide system MS	MS16/MS22
Drive	not live
Fixation MS	Dovetail
Cooling	external and internal
Pressure	80 bar
Direction	right-handed run
Mounting	Square 16x16
X [mm]	49,2 (1,94")
Y [mm]	–
Z [mm]	14.5 (0.57)
INDEX TRAUB products	MS16-6 • MS24-6 • MS22-6 • MS22-8 • MS22-6L • MS24-8 • MS16-6 Plus



X	49,2
---	------

## Documents

No downloads available for this product

## Accessories

### Optional accessories

#### Tool holder accessories

#### [Plate, height 4 mm \(0.15"\)](#)

Product ID : 12050311

Previous product ID :

TH accessories  
category  
Compensation plate

Mounting  
Square 16x16

#### Other accessories

#### [Bush 4x8x12](#)

Product ID : 10831938

Previous product ID : W02010.0002

---

#### [Hollow screw M12x1](#)

Product ID : 10757766

Previous product ID : W02013.0001

---

#### [Ball nozzle D8xM5](#)

Product ID : 10392450

Previous product ID : W02019.0002

---