

Adaptor

Technical features

TH accessories category

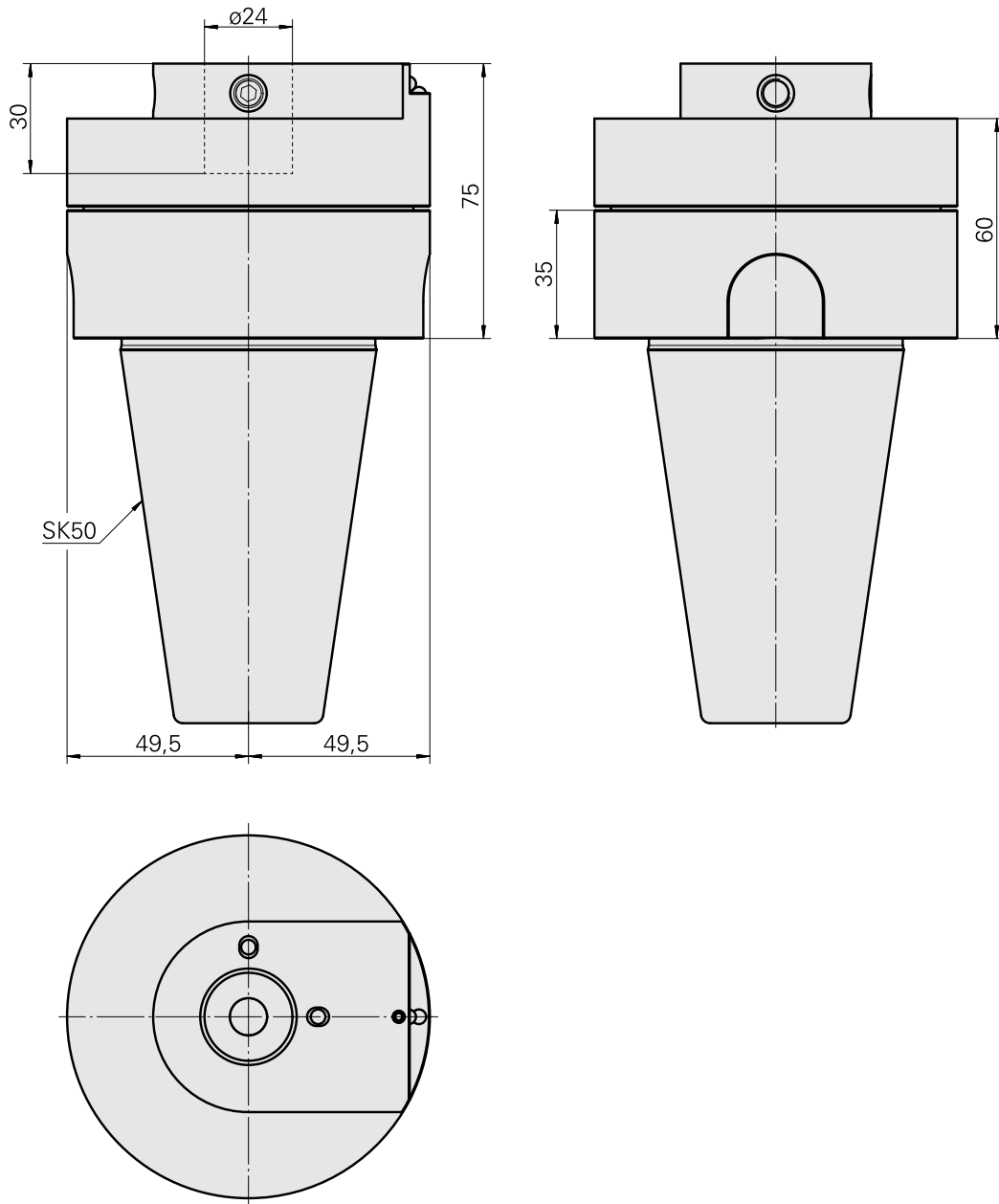
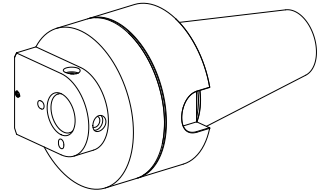
Adapter for presetting units

Mounting

SK50

Tool mounting

Drill holding block D24mm



Documents

No downloads available for this product