

## INDEX CAPTO C6, Probe holder Renishaw D11,2

### Technical data

TH accessories category

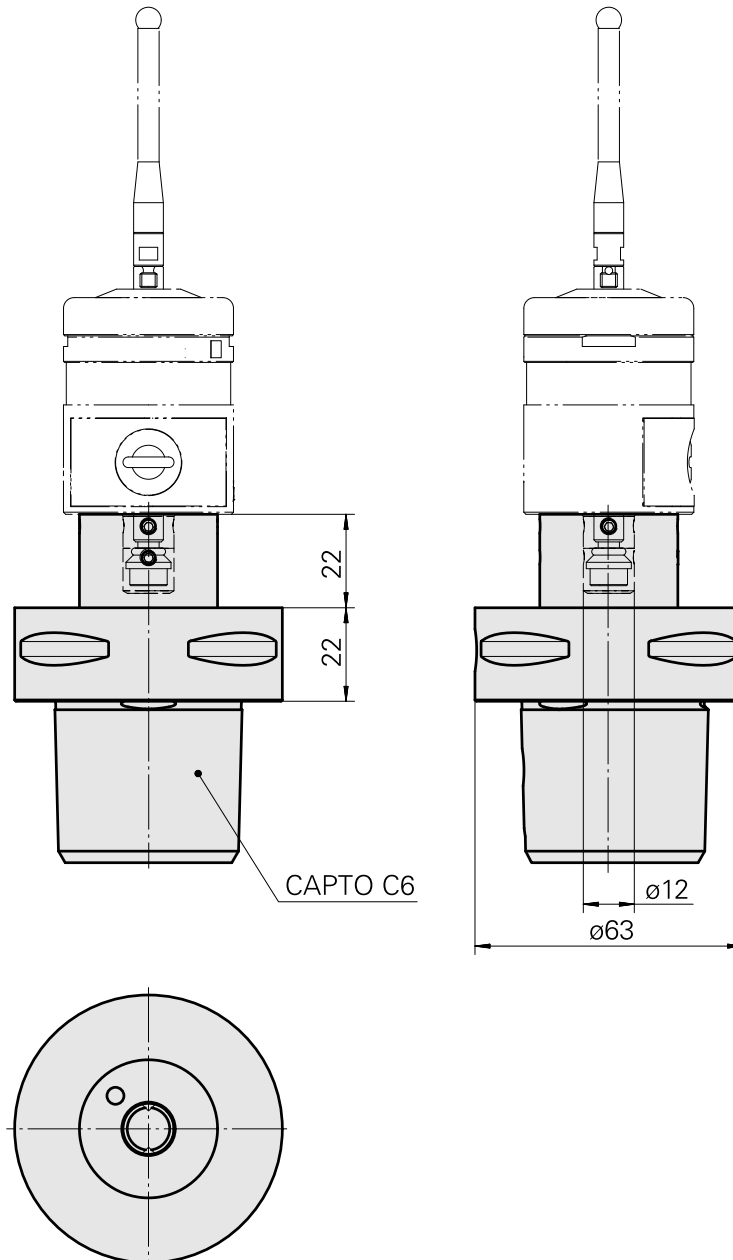
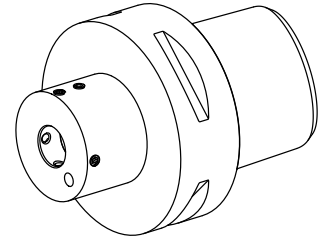
INDEX CAPTO C6

Tool mounting

Renishaw D11,2

Quick change inserts

Probe holder



---

## Documents

No downloads available for this product

## Accessories

Required for operation

### Not defined

Product ID : 12133465

Previous product ID :

---

### Push-button insert

Product ID : 12133466

Previous product ID :

---

### Probe

Product ID : 10338967

Previous product ID : 487542.1441

---

## Optional accessories

### Tool holder accessories

#### Coolant adapter kit

Product ID : 10865732

Previous product ID : W00019.0109

TH accessories  
category  
Cooling lubricant  
transfer set

Mounting  
INDEX CAPTO C6

---

### [Socket wrench](#)

Product ID : 12144844

Previous product ID :

TH accessories  
category  
Tool for KSS adapter

Mounting  
INDEX CAPTO C6

### **Other accessories**

### [Case A-2033-7001](#)

Product ID : 10259626

Previous product ID : 487542.0911

---