

Boring head for VC.. 1604..

Technical data

Mounting

for VC.. 1604..

Cooling

internal

Pressure

50 bar

X [mm]

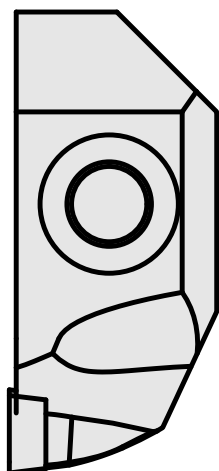
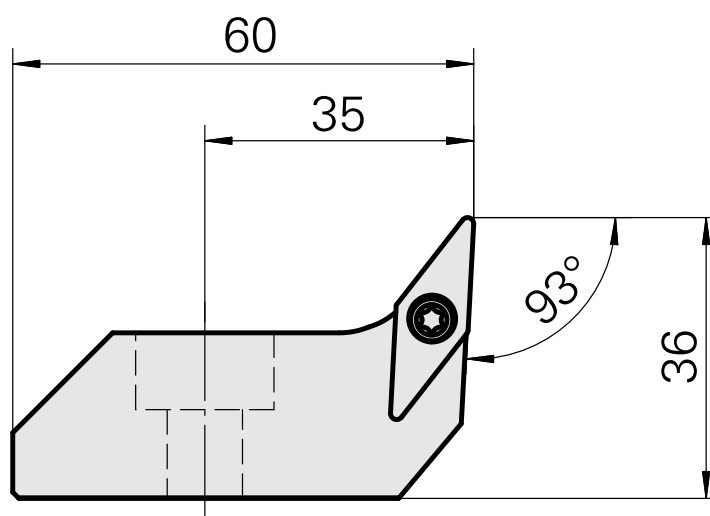
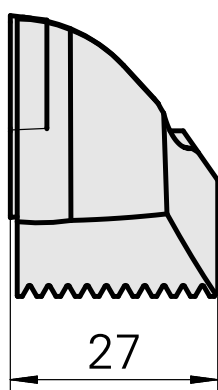
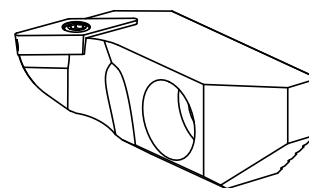
36 (1.42")

Z [mm]

35 (1.38)

INDEX TRAUB products

G220 • G420 • G520 • G320.2 •
G220.3 • TNX220.3



Documents

No downloads available for this product