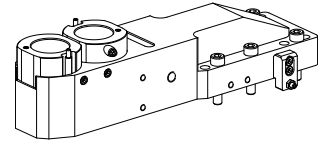


Basic holder MS32/MS40 Hydraulic expansi, double

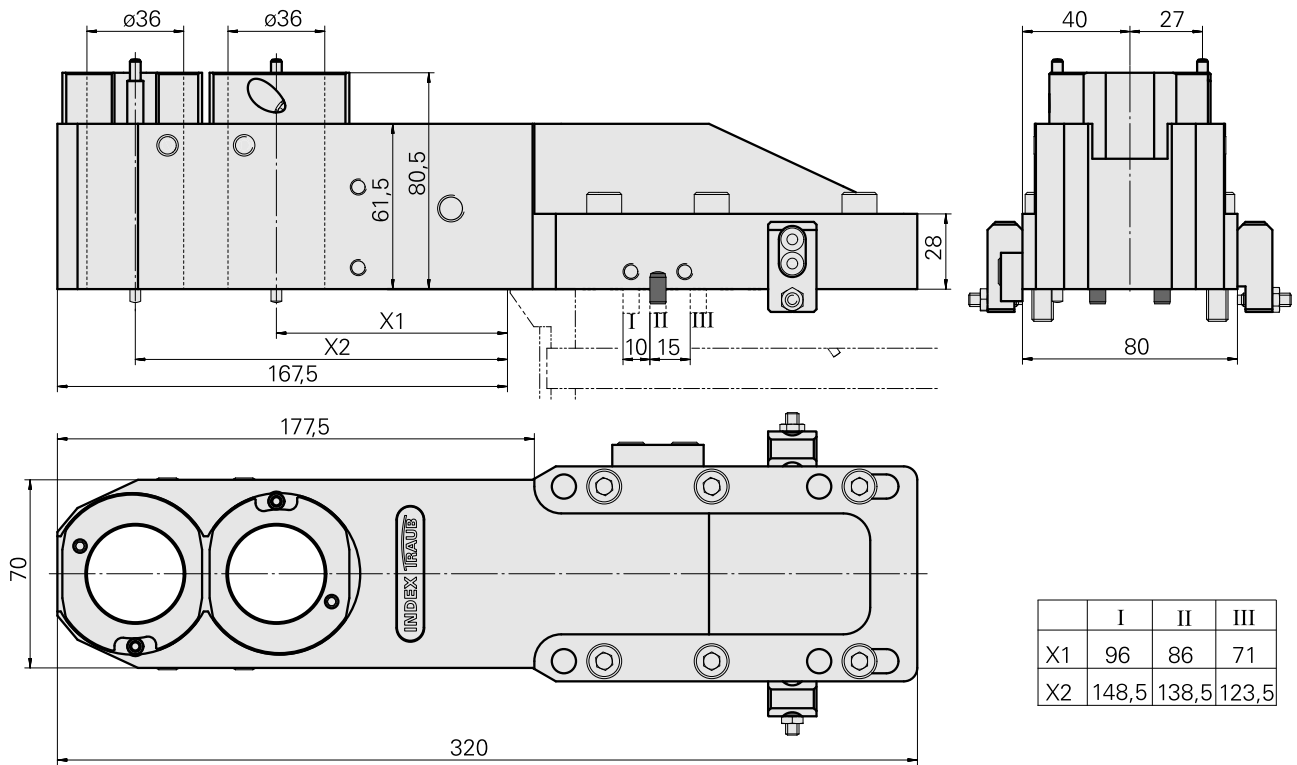
Technical data

Slide system MS	MS32/MS40
Drive	not live
Fixation MS	Splined key/pin
Mounting	Hydraulic expansion chuck D36
X [mm]	96 + 148,5 (3,78" + 5,85")
Y [mm]	–
Z [mm]	0 ()
INDEX TRAUB products	MS40-8



Note

Can not be used with existing synchronous device in position 7.2! When using a 3-axis linear shuttle, the synchronous devices must be swiveled by 3°. The necessary adjustments must be made in consultation with the manufacturer of the automation unit.



Documents

Product notes

[DE \(pdf\)](#)

[EN \(pdf\)](#)

[FR \(pdf\)](#)

[FR \(pdf\)](#)

[EN \(pdf\)](#)

[DE \(pdf\)](#)

Accessories

Optional accessories

MS tool holders

[Blanking plug](#)

Product ID : 12013852

Previous product ID :

Drive not live	Fixation MS Clamping ring D36	X [mm] -	Y [mm] -
Z [mm] -			

Other accessories

[Eccentric bush](#)

Product ID : 11066776

Previous product ID : W9990513

[Not defined Standard MS32](#)

Product ID : 10536748

Previous product ID : WM3600.3100F
