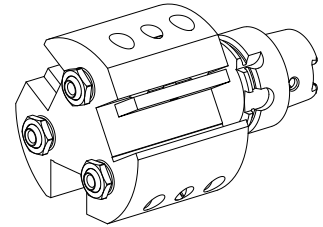

Turning tool holder HSK 40 T square 16x1, triple, for clockwise rotation

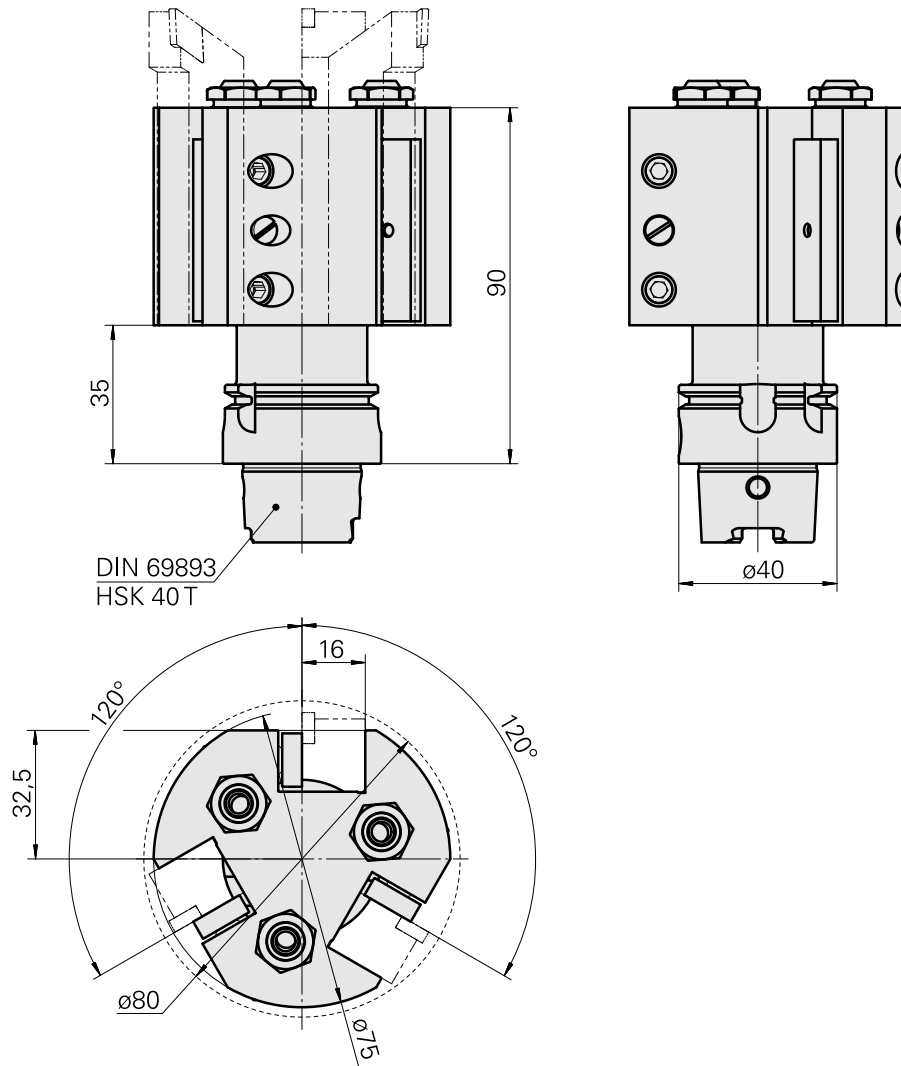
Technical data

Shank HSK	HSK 40
Form HSK	T
Mounting	Square 16x16
Cooling	external
Pressure	80 bar
X [mm]	90 (3.54")
Z [mm]	32.5 (1.28)
INDEX TRAUB products	G220.3 • G220 • R200 • TNX220.3



Note

Not suitable for INDEX G160, G250 and G400! Adjacent stations in the tool magazine can only be used to a limited extent!



Documents

No downloads available for this product

Accessories

Required for operation

[Socket wrench](#)

Product ID : 10532354

Previous product ID : WS7400.0010

TH accessories
category
Tool for KSS adapter

Mounting
HSK 40 A/C

Optional accessories

Tool holder accessories

[Coolant adapter kit](#)

Product ID : 10581780

Previous product ID : WS7400.0020

TH accessories
category
Cooling lubricant
transfer set

Mounting
HSK 40 A/C

[Coolant supply, max. 120 bar](#)

Product ID : 12024083

Previous product ID :

TH accessories
category
Cooling lubricant
transfer set

Mounting
HSK 40 A/C

Other accessories

[Coolant Nozzle](#)

Product ID : 11031912

Previous product ID : W67500.3208

11087974
W2350014

INDEX

HOLLOW SCREW M14x1 M14x1

Product ID : 10105238

Previous product ID : W67530.0818

BUSHING 10 D x 6 D x 12,5

Product ID : 10670360

Previous product ID : W67530.0824
