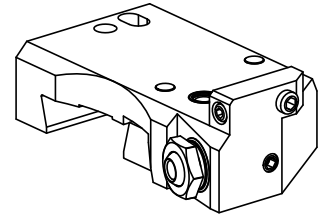


## Grooving tool holding block Trapezoid 26

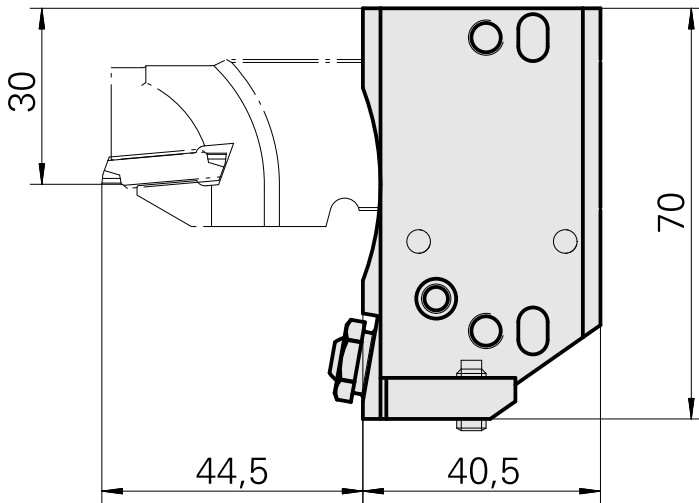
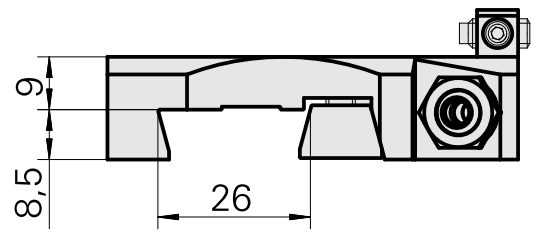
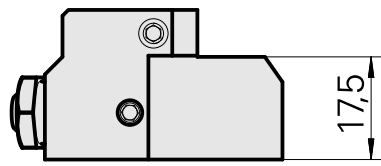
### Technical data

|                             |                      |
|-----------------------------|----------------------|
| <b>Drive</b>                | not live             |
| <b>Cooling</b>              | external             |
| <b>Pressure</b>             | 80 bar               |
| <b>Direction</b>            | right-handed run     |
| <b>Mounting</b>             | Trapezoid 26x8       |
| <b>X [mm]</b>               | 40.5 (1.59")         |
| <b>Y [mm]</b>               | –                    |
| <b>Z [mm]</b>               | 9 (0.35)             |
| <b>INDEX TRAUB products</b> | MS16-6 • MS16-6 Plus |



### Note

Specially for left cutoff blades!



## Documents

No downloads available for this product

## Accessories

Optional accessories

### Other accessories

#### [Bush 4x8x12](#)

Product ID : 10831938

Previous product ID : W02010.0002

---

#### [Hollow screw M12x1](#)

Product ID : 10757766

Previous product ID : W02013.0001

---

#### [Ball nozzle D8xM5](#)

Product ID : 10392450

Previous product ID : W02019.0002

---