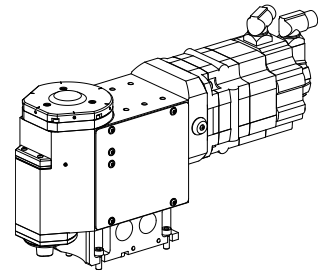


Polygon turning unit MS52 4.194:1 INDEX

Technical data

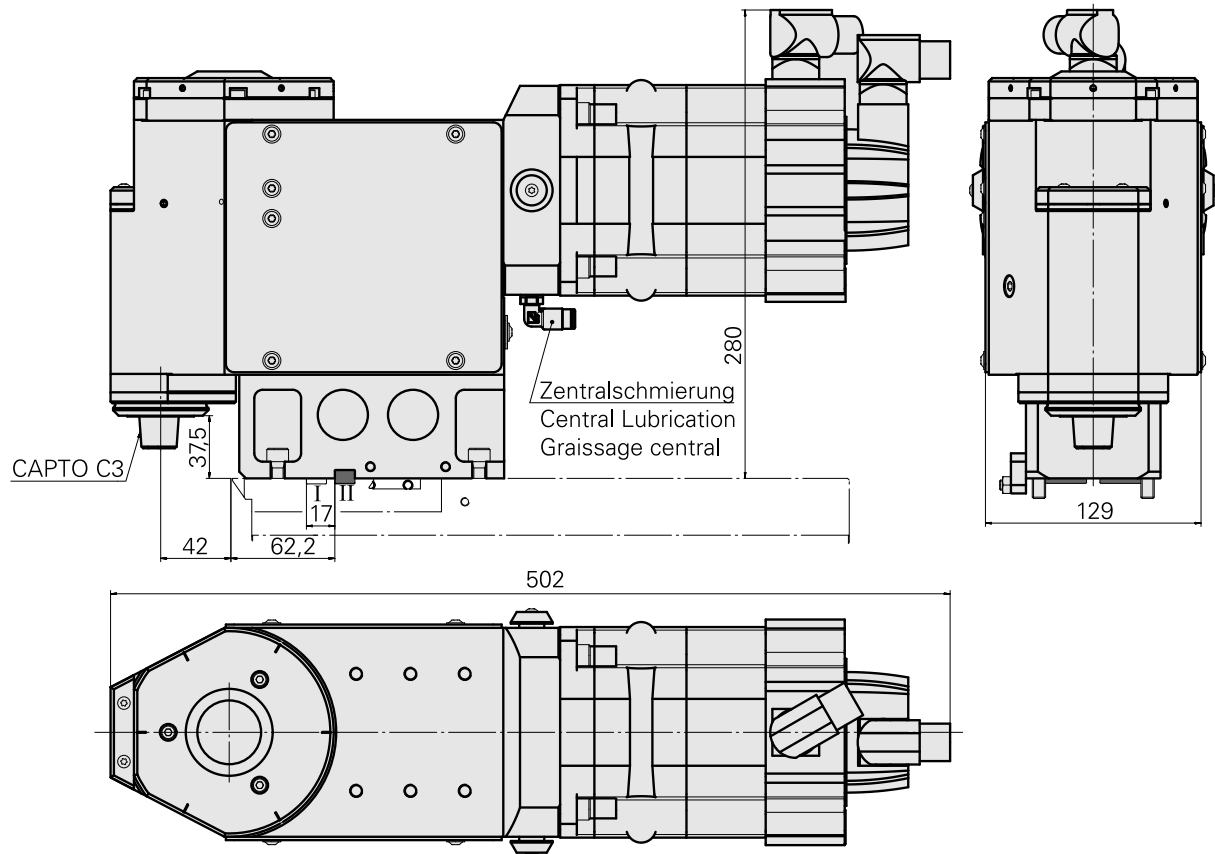
Slide system MS	MS52
Drive	Direct drive
Fixation MS	Splined key/pin
Speed ratio	4.194:1
Cooling	external
Pressure	30 bar
Mounting	INDEX CAPTO C3
X [mm]	42 (1.65")
Y [mm]	–
Z [mm]	37.5 (1.48)
INDEX TRAUB products	MS52C • MS52-6.3



Note

Can only be used on the cross slide! The unit must be connected to a central lubrication system! The machine must have a preparation for polygon turning! The unit may only be used in combination with any of the specified motors and the corresponding UNIT!

Motor (AC), 10 Nm – 12107824 (Siemens 1FT7062-5WK74-1NK2) included. UNIT 156



Documents

No downloads available for this product

Accessories

Required for operation

Cable kit, 5m im Arbeitsraum

Product ID : 10912003

Previous product ID : GM5702.9055

Assembly parts

Product ID : 12103140

Previous product ID :

Optional accessories

Other accessories

Adaptor

Product ID : 10910688

Previous product ID : W9991073

TH accessories
category
Adapters INDEX CAPTO
C3

Mounting
Milling shaft D32

Base element

Product ID : 10269925

Previous product ID : 223800.2301

TH accessories
category
Base body, 3-fluted

Mounting
Milling shaft D27

Cassette

Product ID : 10305934

Previous product ID : W9990295

TH accessories
category
Cassette, left

Mounting
for DC.. 11T3..

Cassette

Product ID : 10654226

Previous product ID : W9990294

TH accessories
category
Cassette, right

Mounting
for DC.. 11T3..