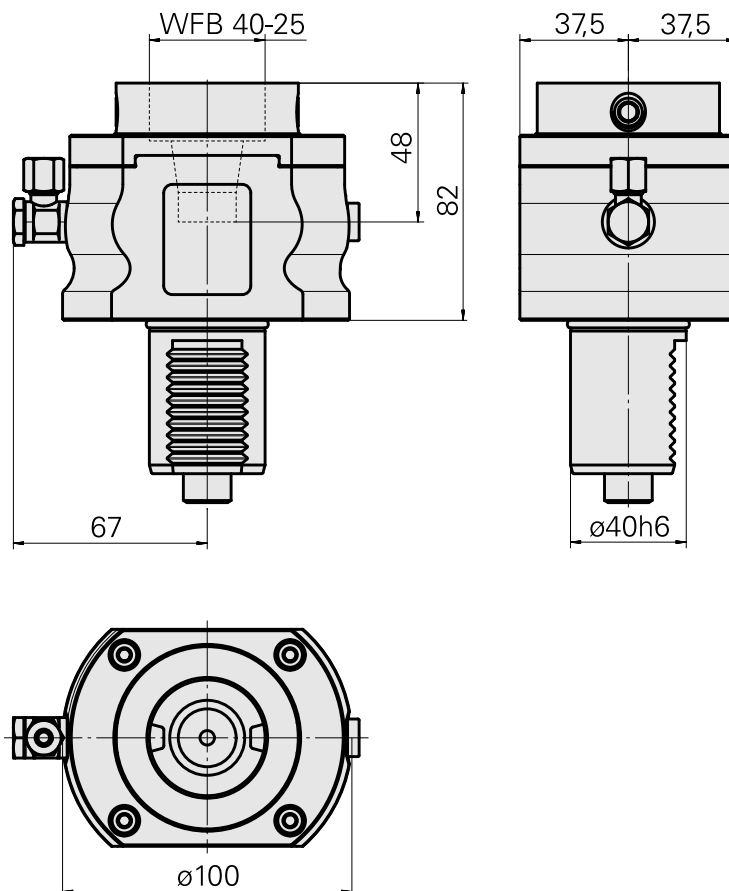
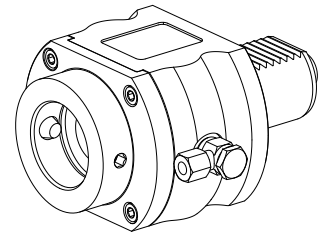


## Milling unit VDI 40 1:1 WFB 40-25

### Technical data

<b>Shank VDI</b>	VDI 40
<b>Drive</b>	Spline shaft B17x14
<b>Fixation VDI</b>	none
<b>Speed ratio</b>	1:1
<b>Cooling</b>	external
<b>Pressure</b>	80 bar
<b>Mounting</b>	WFB 40-25
<b>reversible 180°</b>	no
<b>Direction</b>	same as drive direction
<b>X [mm]</b>	82 (3.23")
<b>Y [mm]</b>	-
<b>Z [mm]</b>	-
<b>INDEX TRAUB products</b>	TNA400



## **Documents**

### **Product notes**

[DE \(pdf\)](#)

[EN \(pdf\)](#)

[FR \(pdf\)](#)

[PT \(pdf\)](#)