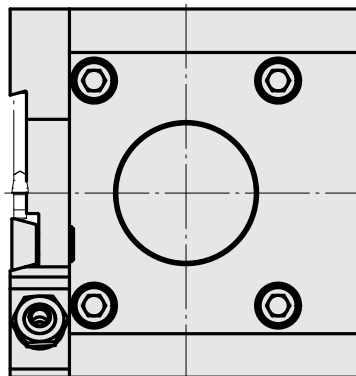
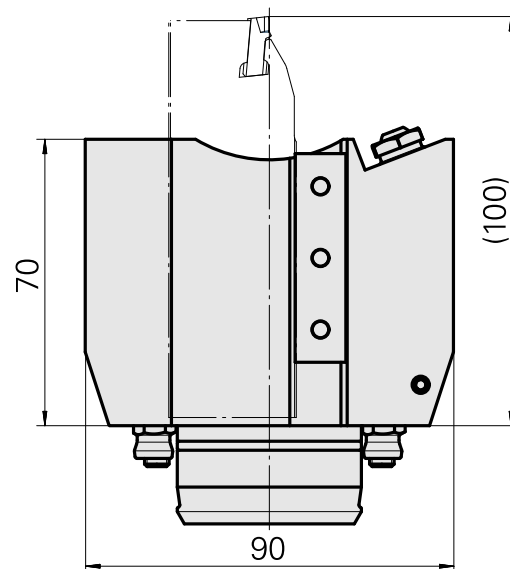
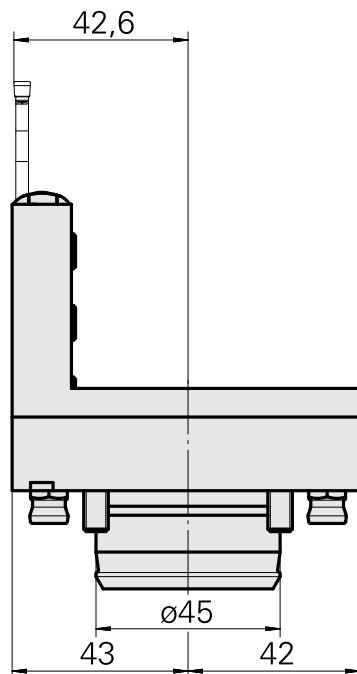
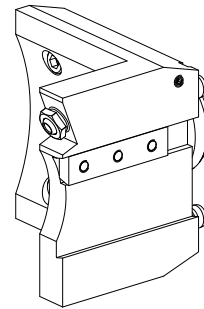


Grooving tool holder KPS 45 Trapezoid 32

Technical data

Shank KPS	KPS 45
Drive	not live
Cooling	external
Mounting	Trapezoid 32x8
Pressure	80 bar
X [mm]	70 (2.76")
Y [mm]	-
Z [mm]	-40 (-1.57)
INDEX TRAUB products	ABC65 • TNK42/65 • C200 Tandem



Documents

No downloads available for this product

Accessories

Optional accessories

Other accessories

[Bush 4x8x12](#)

Product ID : 10831938

Previous product ID : W02010.0002

[Ball nozzle D8xM5](#)

Product ID : 10392450

Previous product ID : W02019.0002

[Hollow screw M12x1](#)

Product ID : 10757766

Previous product ID : W02013.0001

[Nozzle Kugel-D8](#)

Product ID : 10007891

Previous product ID : 904837
