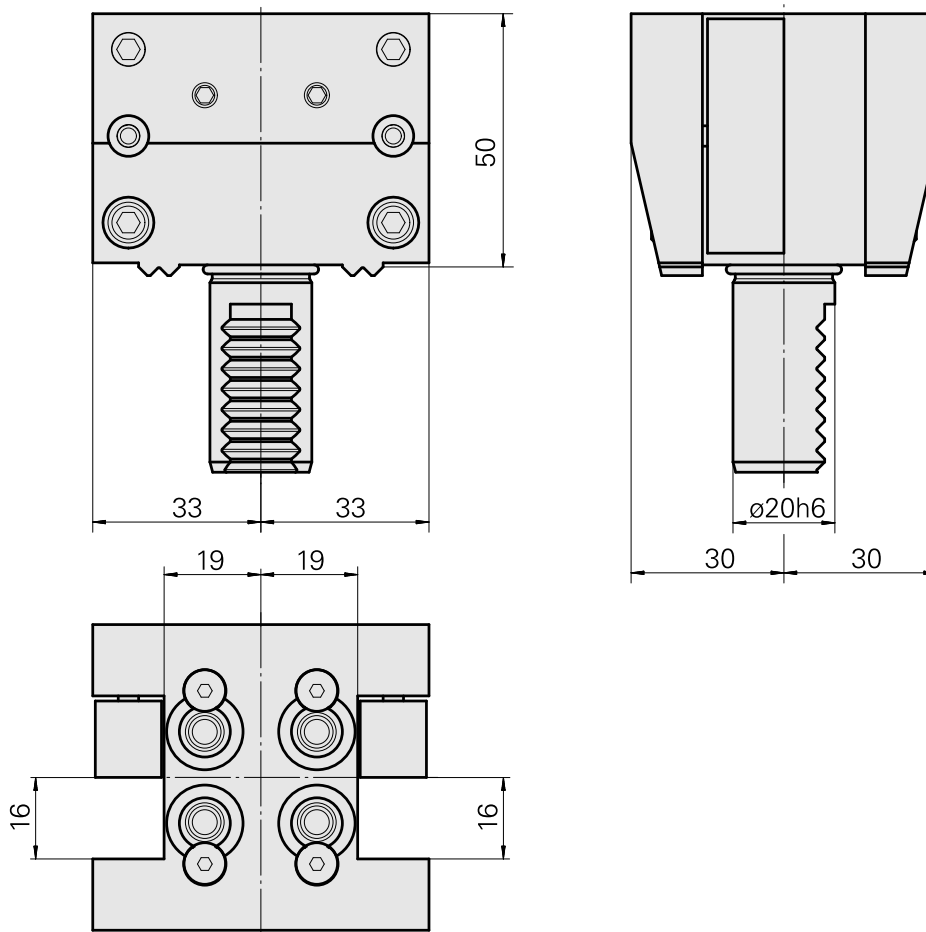
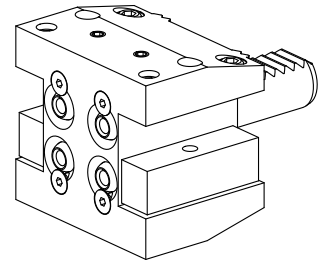


Turning tool holder VDI 20 square 16x16, double

Technical data

Shank VDI	VDI 20
Drive	not live
Fixation VDI	W serration
Cooling	external
Pressure	20 bar
Mounting	Square 16x16
reversible 180°	no
Data carrier	check tool station bore
X [mm]	50 (1.97")
Y [mm]	-
Z [mm]	±33 (±1.30)
INDEX TRAUB products	C100



Documents

No downloads available for this product

Accessories

Optional accessories

Other accessories

[Seal](#)

Product ID : 10478680

Previous product ID : W67221.4196

[Coolant Nozzle](#)

Product ID : 11031912

Previous product ID : W67500.3208

[Countersunk screw M 4x 8/T20 verzinkt 402314 8](#)

Product ID : 10586100

Previous product ID : 410362.0408

[Nozzle M6 mit D1,6](#)

Product ID : 10147428

Previous product ID : W00019.0216
