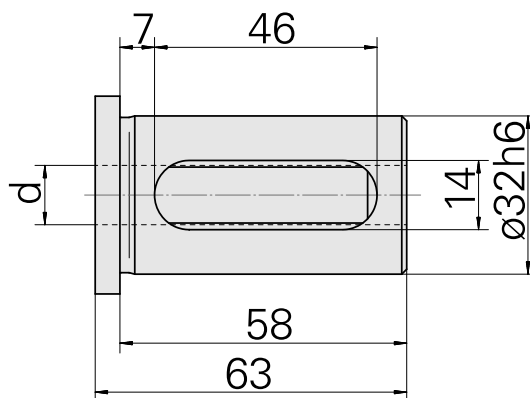


## Mounting sleeve with collar D32/ 18mm

### Technical data

TH accessories category	Mounting sleeve with collar
Mounting	D32
Tool mounting	18mm



## **Documents**

No downloads available for this product