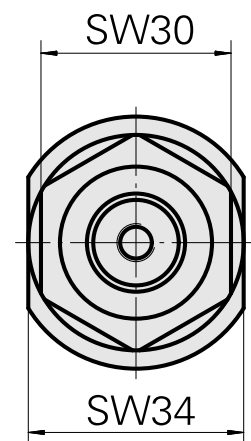
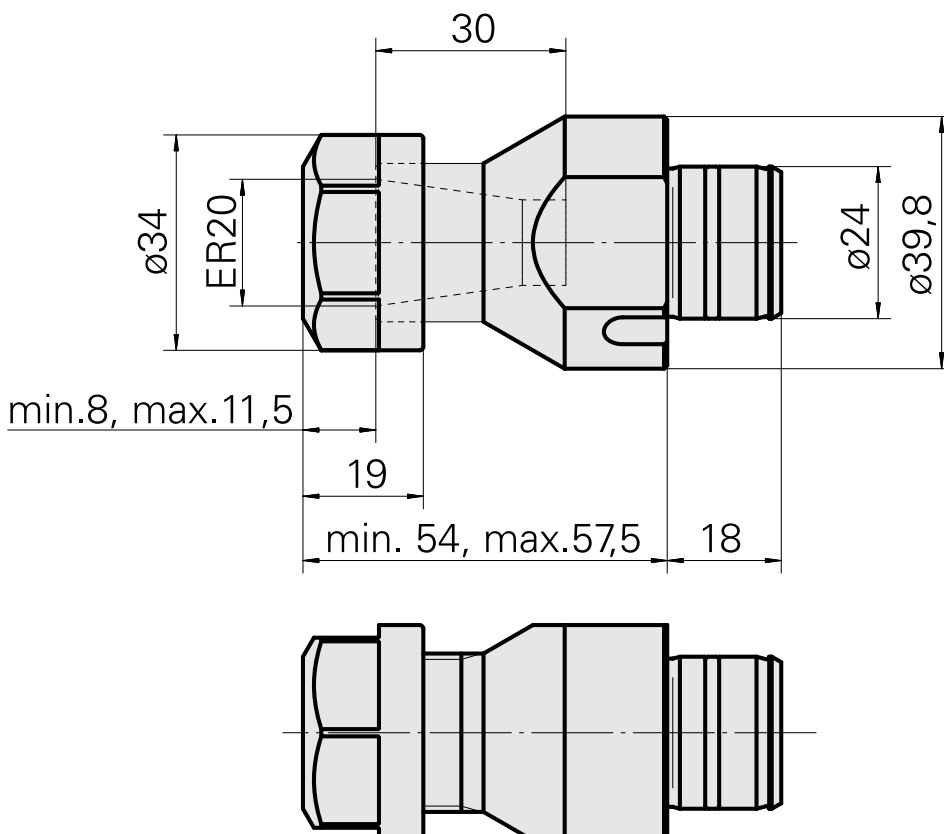


Mount ER20

Technical data

| | |
|-----------------------------|--|
| Drive | not live |
| Cooling | internal |
| Mounting | ER20 |
| Pressure | 80 bar |
| X [mm] | 54 (2.13") |
| Y [mm] | - |
| Z [mm] | - |
| INDEX TRAUB products | ABC65 • TNK42/65 • TNL18 • TNL20 • TNL32-11 • TNL32 • TNL32-11 compact • TNL20-11 • TNL32 compact • TNK40.2-10 • TNL20.2 • TNK40.2 |



Documents

No downloads available for this product

Accessories

Required for operation

[Spanner](#)

Product ID : 10603529

Previous product ID : 490219.0201

| | | | |
|--|------------------|----------------------|------------------------------------|
| TH accessories category Tool | Mounting ER20 | Collet type ER 20 | Clamping nut type Female thread |
| Tools for Collet chucks Clamping nut wrench | | | |

Optional accessories

Tool holder accessories

[Clamping nut](#)

Product ID : 10137535

Previous product ID : 901939.0201

| | | | |
|---|------------------|----------------------|------------------------------------|
| TH accessories category Clamping nut | Mounting ER20 | Collet type ER 20 | Clamping nut type Female thread |
|---|------------------|----------------------|------------------------------------|

Other accessories

[Clamping collet](#)

Product ID : 10863981

Previous product ID : 901930.2---

[tapping tool collet ET-1-20](#)

Product ID : 10418139

Previous product ID : 3234--

11056269
W9990541

INDEX

Collet chuck

Product ID : 10135002
Previous product ID : W999066-

Clamping collet, sealed

Product ID : 10919110
Previous product ID : W999084-
