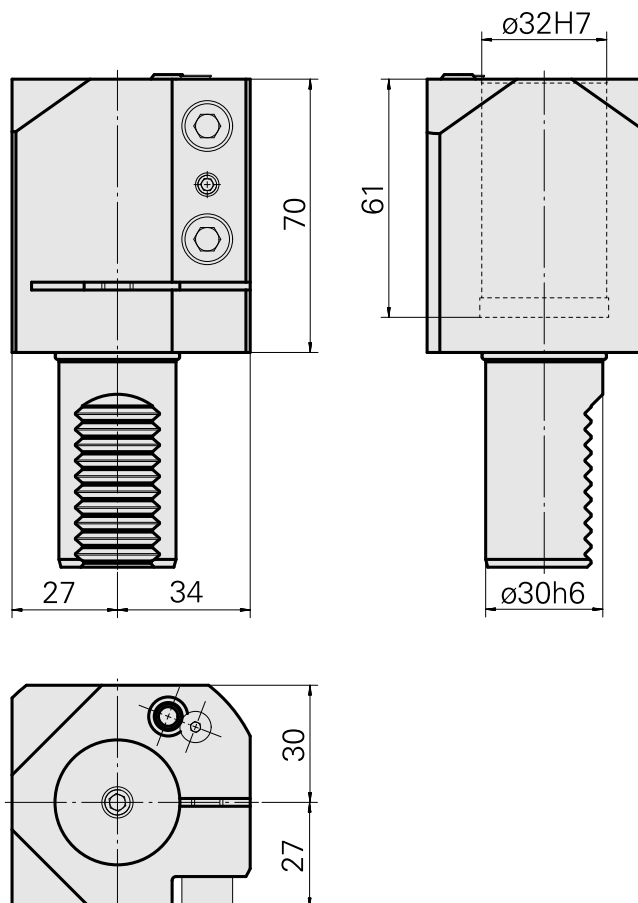
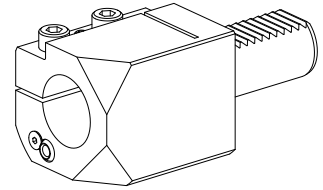


## Drilling tool holder VDI 30 D32, Form E2

### Technical data

<b>Shank VDI</b>	VDI 30
<b>Drive</b>	not live
<b>Fixation VDI</b>	none
<b>Cooling</b>	external
<b>Pressure</b>	20 bar
<b>Mounting</b>	D32
<b>reversible 180°</b>	no
<b>Data carrier</b>	check tool station bore
<b>X [mm]</b>	70 (2.76")
<b>Y [mm]</b>	-
<b>Z [mm]</b>	-
<b>INDEX TRAUB products</b>	IT600 • V100 • V200 • V160C • V160G • V300 • TNA300



## **Documents**

No downloads available for this product

## **Accessories**

Optional accessories

**Other accessories**

[Mounting sleeve D32](#)

Product ID : 10022842

Previous product ID : W63220.02--

---