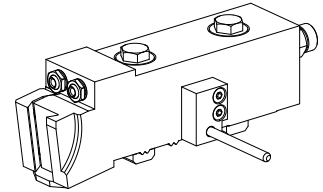


Grooving tool holder MS16 grooving slide, X.1

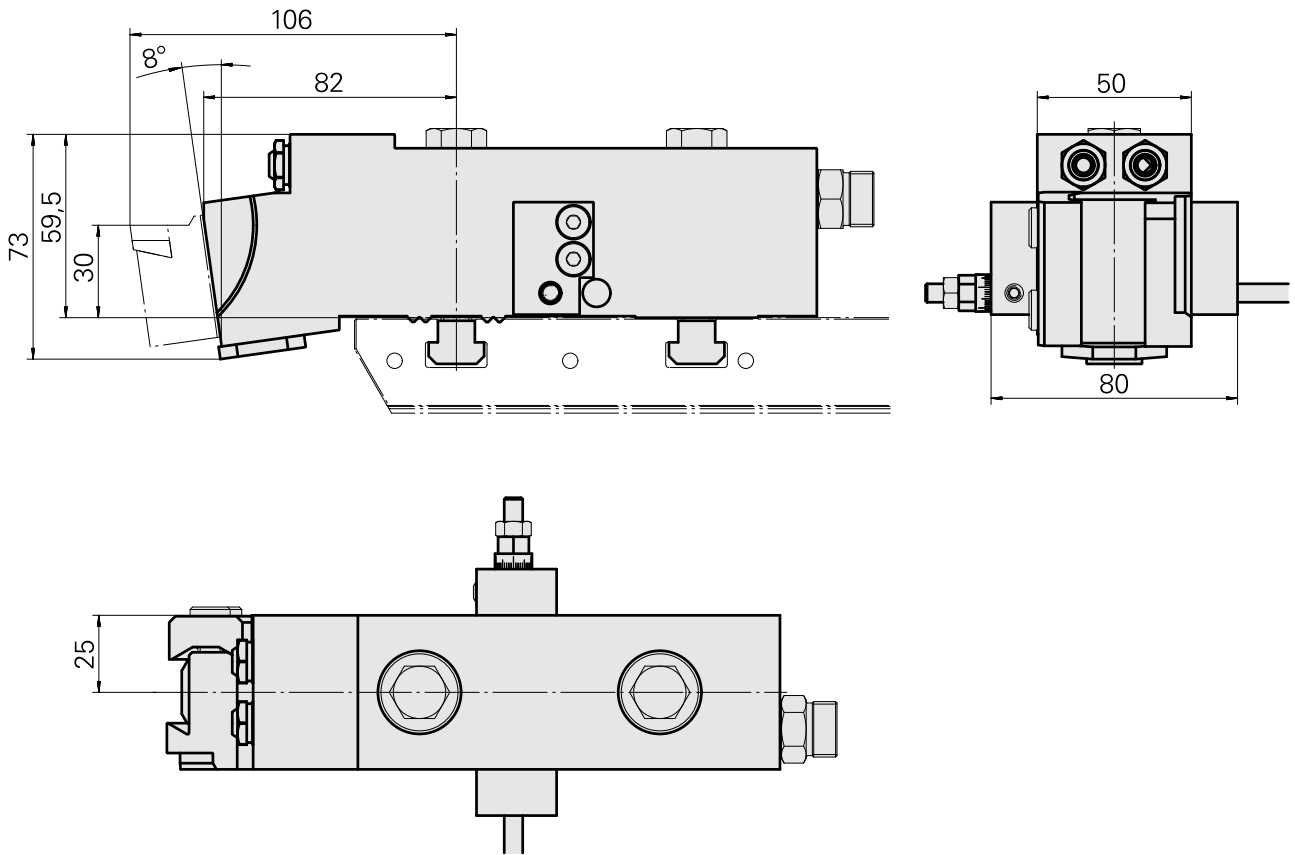
Technical features

Slide system MS	MS16 grooving slide
Drive	not live
Fixation MS	W serration
Cooling	external
Pressure	80 bar
Direction	right-handed run
Mounting	Forming tool AWN 28
X [mm]	106 (4.17")
Y [mm]	–
Z [mm]	25 (0.98)
INDEX TRAUB products	MS16-6



Note

Can be used on INDEX MS16-6 in positions 2.1 and 4.1 only!



Documents

No downloads available for this product

Accessories

Optional accessories

Other accessories

[EX.SOC.PLUG/4Z-908 VSTI R 1/4-ED](#)

Product ID : 10886676

Previous product ID : 410773.0025

[BUSHING 10 D x 6 D x 12,5](#)

Product ID : 10670360

Previous product ID : W67530.0824

[Coolant Nozzle](#)

Product ID : 11031912

Previous product ID : W67500.3208

[HOLLOW SCREW M14x1](#)

Product ID : 10105238

Previous product ID : W67530.0818

[Nozzle M6 mit D1,6](#)

Product ID : 10147428

Previous product ID : W00019.0216

[Stop Feineinstellung; groß](#)

Product ID : 10823911

Previous product ID : W9990754
