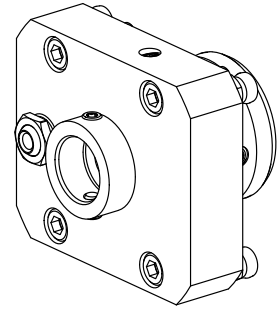


Basic holder KPS 45 WFB 20-12

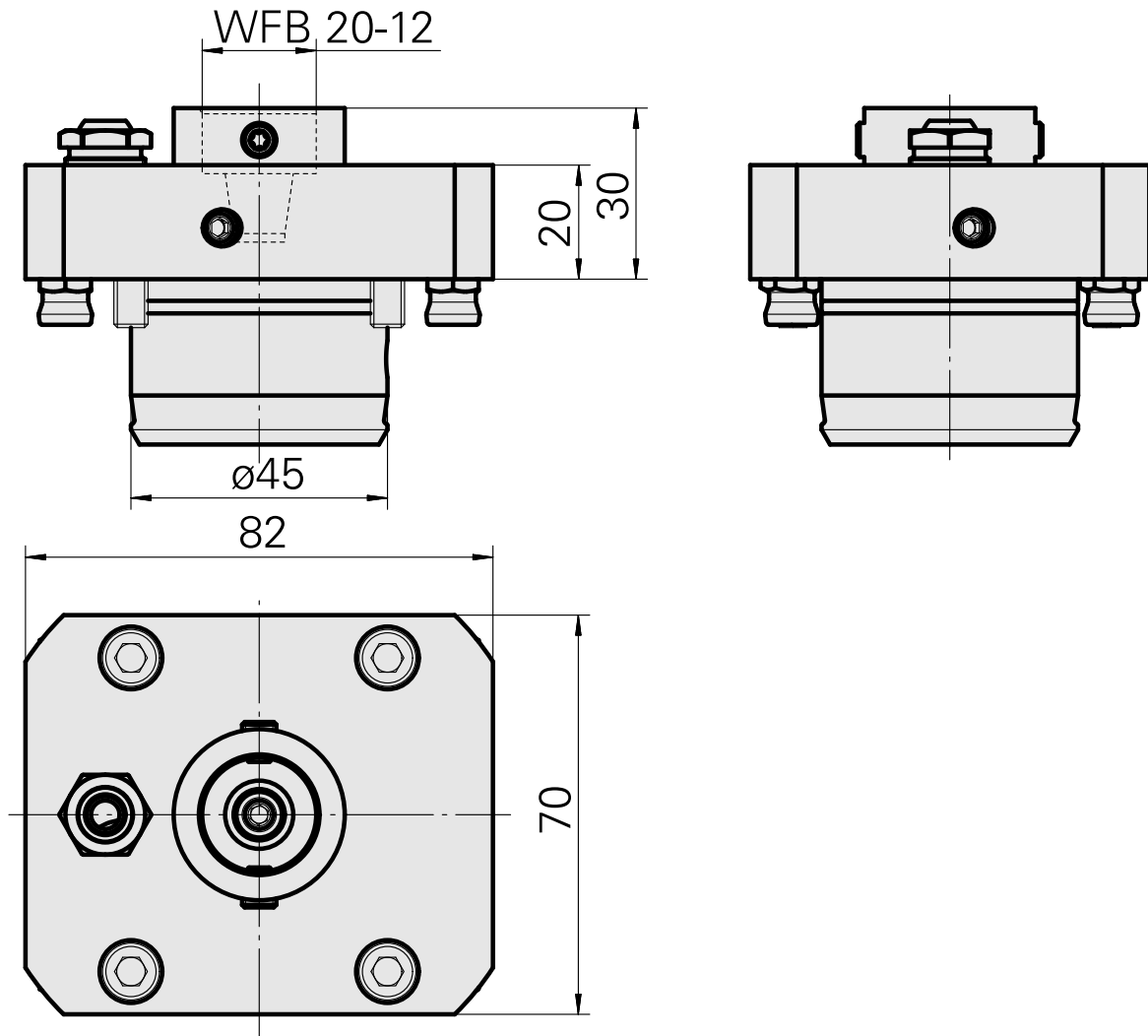
Technical data

Shank KPS	KPS 45
Drive	not live
Cooling	external and internal
Mounting	WFB 20-12
Pressure	80 bar
X [mm]	20 (0.79")
Y [mm]	–
Z [mm]	–
INDEX TRAUB products	TNL18



Note

Specially for TRAUB TNL machines having a turret with a B axis!



Documents

Product notes

[PT \(pdf\)](#)

[DE \(pdf\)](#)

[EN \(pdf\)](#)

[FR \(pdf\)](#)

Accessories

Optional accessories

Tool holder accessories

[Coolant tube, L=100 mm \(3.93"\)](#)

Product ID : 10346684

Previous product ID : W9990559

TH accessories
category
Cooling lubricant tube

Mounting
M6

Other accessories

[BUSHING 10 D x 6 D x 12,5](#)

Product ID : 10670360

Previous product ID : W67530.0824

[Coolant Nozzle](#)

Product ID : 11031912

Previous product ID : W67500.3208

[HOLLOW SCREW M14x1 M14x1](#)

Product ID : 10105238

Previous product ID : W67530.0818

[Nozzle M6 mit D1,6](#)

Product ID : 10147428
Previous product ID : W00019.0216

[Adapter WFB 20-12 shrinking](#)

Product ID : 10477939
Previous product ID : 904006

[Adapter WFB 20-12 Weldon](#)

Product ID : 10221340
Previous product ID : 904007

[Adapter WFB 20-12 with collet mounting](#)

Product ID : 10625654
Previous product ID : 904008

[Adapter WFB 20-12 Hydr. expansion chuck](#)

Product ID : 10566889
Previous product ID : 904010

[WFB for tap chuck](#)

Product ID : 11004600
Previous product ID : WZ9990.9613F

[WFB miscellaneous mountings](#)

Product ID : 10243177
Previous product ID : WZ9990.9612F

[TORX SCREW M6 X 7MM M 6x1x7](#)

Product ID : 10004947
Previous product ID : 326171
