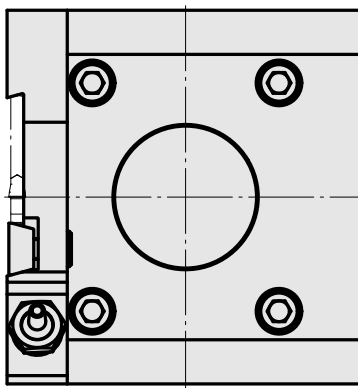
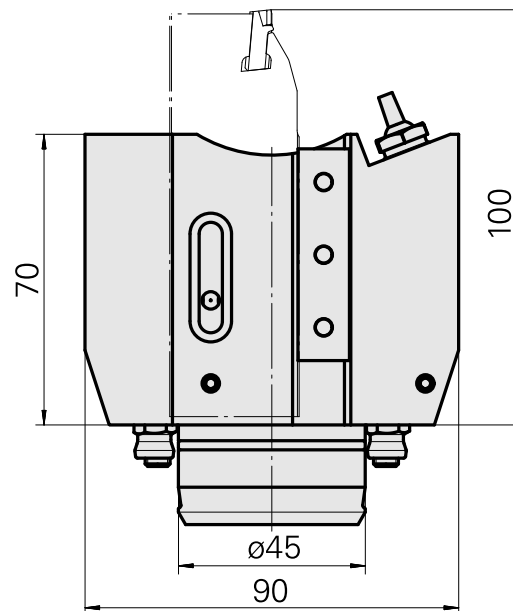
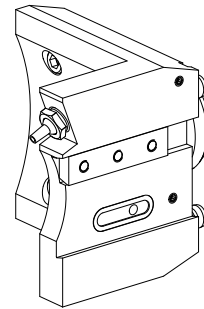


Grooving tool holder KPS 45 Trapezoid 32

Technical data

Shank KPS	KPS 45
Drive	not live
Cooling	external and internal
Mounting	Trapezoid 32x8
Pressure	80 bar
X [mm]	70 (2.76")
Y [mm]	–
Z [mm]	43 (1.69)
INDEX TRAUB products	ABC65 • TNK42/65



Documents

No downloads available for this product

Accessories

Optional accessories

O-Rings

[Gasket ring OR 18,77X1,78](#)

Product ID : 10897583

Previous product ID : 316038

manufacturer product line Trelleborg	TSS material no.	Cord size 1.78 Millimeter	manufacturer product line O-ring
---	------------------	------------------------------	-------------------------------------

Other accessories

[Bush 4x8x12](#)

Product ID : 10831938

Previous product ID : W02010.0002

[Hollow screw M12x1](#)

Product ID : 10757766

Previous product ID : W02013.0001

[Nozzle Kugel-D8](#)

Product ID : 10007891

Previous product ID : 904837

[Locking screw M12x1](#)

Product ID : 10135400

Previous product ID : 910677
