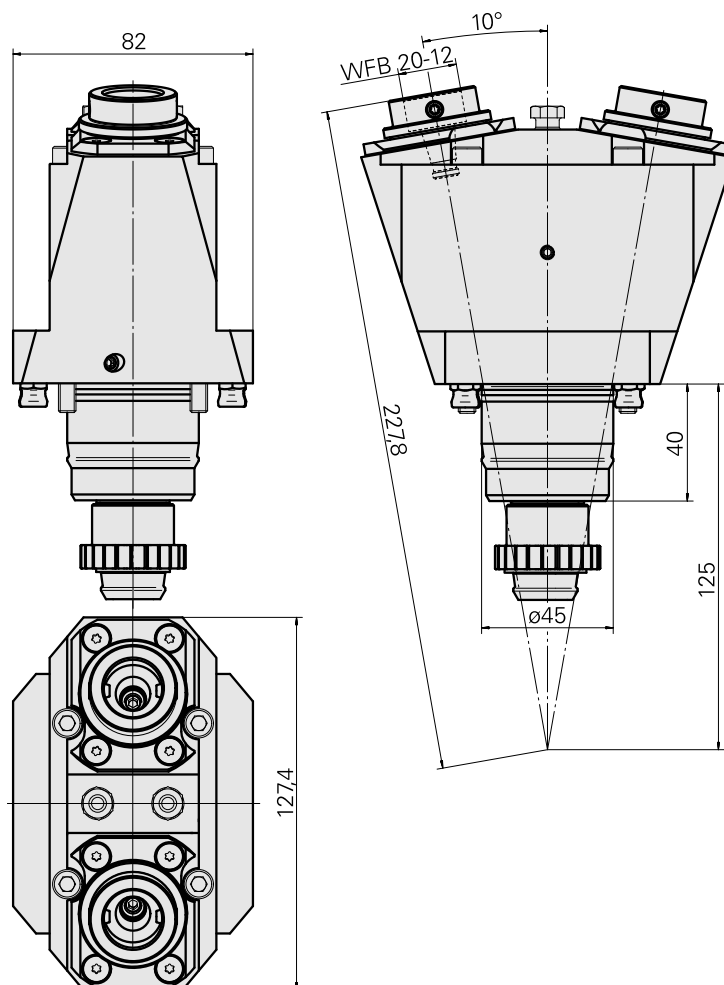
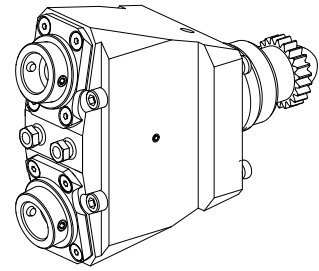


## Milling unit KPS 45 1:1 WFB 20-12, double

### Technical data

Shank KPS	KPS 45
Drive	Spur gear 23 Teeth
Speed ratio	1:1
Cooling	external
Mounting	WFB 20-12
Pressure	80 bar
Direction	opposite to drive direction
X [mm]	103 (4.06")
Y [mm]	±10°
Z [mm]	0 ()
INDEX TRAUB products	TNL32-11 • TNL32



---

## Documents

### Product notes

[PT \(pdf\)](#)

[DE \(pdf\)](#)

[EN \(pdf\)](#)

[FR \(pdf\)](#)

## Accessories

### Optional accessories

#### Tool holder accessories

#### [Coolant tube, L=100 mm \(3.93"\)](#)

Product ID : 10309869

Previous product ID : W9990658

TH accessories  
category  
Cooling lubricant tube

Mounting  
D6

#### [Spanner](#)

Product ID : 10975197

Previous product ID : W9990560

TH accessories  
category  
Tool

Tools for Collet chucks  
Wrench spur gear (23  
teeth)

#### Other accessories

#### [THREADED BUSHING M10x1 Stahl verzinkt A3C](#)

Product ID : 10707394

Previous product ID : 471112.06

---

#### [Conical ring DIN 3862-6-St](#)

Product ID : 10528470

Previous product ID : 471060.0601

---

---

[Adapter WFB 20-12 shrinking](#)

Product ID : 10477939  
Previous product ID : 904006

---

[Adapter WFB 20-12 with collet mounting](#)

Product ID : 10625654  
Previous product ID : 904008

---

[Adapter WFB 20-12 Hydr. expansion chuck](#)

Product ID : 10566889  
Previous product ID : 904010

---

[WFB for Turning tool holder](#)

Product ID : 10146029  
Previous product ID : 904011

---

[WFB for tap chuck](#)

Product ID : 11004600  
Previous product ID : WZ9990.9613F

---

[WFB miscellaneous mountings](#)

Product ID : 10243177  
Previous product ID : WZ9990.9612F

---

[TORX SCREW M6 X 7MM M 6x1x7](#)

Product ID : 10004947  
Previous product ID : 326171

---