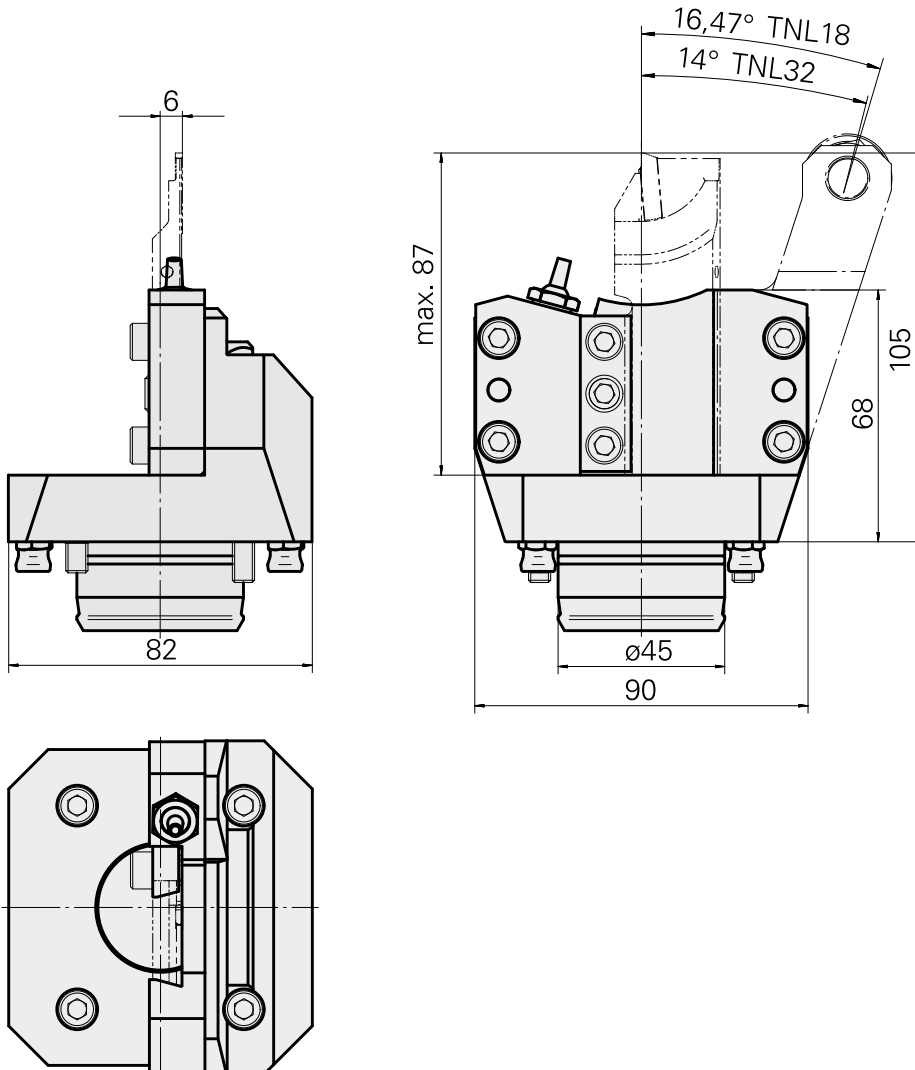
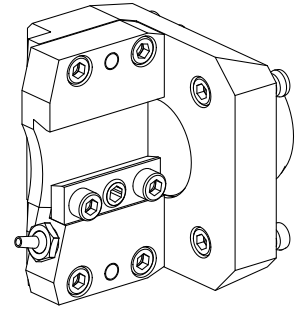


Grooving tool holder Compact shank 45 Tr

Technical features

Shank KPS	Compact shank 45
Drive	not live
Cooling	external
Mounting	Trapezoid 26x8
Pressure	80 bar
X [mm]	68 (2.68")
Y [mm]	-
Z [mm]	-6 (-0.24)
INDEX TRAUB products	TNL18 • TNL20 • TNL32-11 • TNL32



Documents

No downloads available for this product

Accessories

Optional accessories

Tool holders with compact shank

[Bar stop, live](#)

Product ID : 10436606

Previous product ID : W9990516

Drive
not live

INDEX TRAUB products
TNL18-7 • TNL18-7B •
TNL18-9 • TNL18-9P
• TNL18P • TNL20 •
TNL32-10 • TNL32-11
• TNL32-7 • TNL32-7B
• TNL32-8 • TNL32-9 •
TNL32-9P • TNL32P

Other accessories

[Bush 4x8x12](#)

Product ID : 10831938

Previous product ID : W02010.0002

[Nozzle Kugel-D8](#)

Product ID : 10007891

Previous product ID : 904837

[Hollow screw M12x1](#)

Product ID : 10757766

Previous product ID : W02013.0001
